



Solenoid valve 2/2 way N.C. With pilot control Explosion proof - Atex Ex d

21WA3KIB130

÷

21WA4KIB130

PRESENTATION:

S.V. with pilot control for interception of fluids compatible with the construction materials. Aluminium coil housing, explosion proof "Ex d". Electrical and electromechanical components according to Atex Directive 94/9/CE

A minimum operational pressure of 0,2 bar is required. The materials used and the tests carried out ensure maximum reliability and duration.

USE: Potentially explosive atmospheres
Zone 1, 2, 21, 22

PIPES: G 3/8 - G 1/2

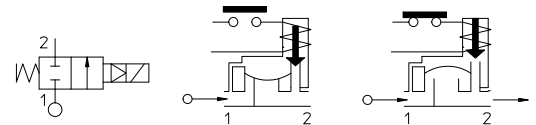
COIL: 8W - Ø 13
BDA 155°C (class F)

PresMax. allowable pressure (PS) 20 bar
Housing ambient temperature - 40°C + 60°C



Gaskets	Temperature		Medium
B =NBR (nitrile rubber)	- 10°C	+ 80°C	Air, inert gas, water
E =EPDM (ethylene-propylene)	- 10°C	+ 80°C	Water, low pressure steam
V =FKM (fluoroelastomer)	- 10°C	+ 80°C	Mineral oils (2°E), gasoline gas oil
F =H-NBR (hydrogenated nitrile)	- 30°C	+ 80°C	Air, inert gas, water R 134a, R 404a

For seals other than NBR replace the letter "B" with the ones corresponding to the other seals. E.I. 21WA3KIV130.



Pipe ISO 228/1	Code	Max viscosity		Ø mm	Kv l/mn	Power watt	Pressure		
		cSt					min bar	M.O.P.D. AC bar DC bar	
G 3/8	21WA3KIB130	12	~ 2	13	60	8	0,2	16	16
G 1/2	21WA4KIB130				70				



(According to Directive 94/9/CE ATEX)
II 2G Ex d IIC T6 o T5 Gb
II 2D Ex tb IIIC T80°C o T95°C Db IP67

Note

Available on request and with minimum quantities.

The "ODE" reserves the right to carry out technical and aesthetic modifications without prior notification.

MATERIALS:

Body	Brass - UNI EN 12165 CW617N
Armature tube	Stainless steel AISI series 300
Fixed core	Stainless steel AISI series 400
Plunger	Stainless steel AISI series 400
Phase displacement ring	Copper - Cu 99,9%
Spring	Stainless steel AISI series 300
Seal	Standard: B=NBR On request: V=FKM; E=EPDM; F=H-NBR
Orifice	Brass - UNI EN 12165 CW617N
Housing	Aluminium die cast

Connector conformity ISO 4400

FEATURES:

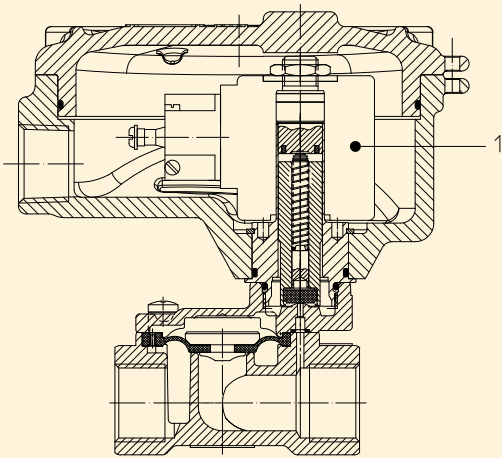
Electrical conformity	IEC 335
Protection degree	IP 65 EN 60529 (DIN 40050) with housing fitted by cable gland Atex Ex d.

SPARE PARTS:

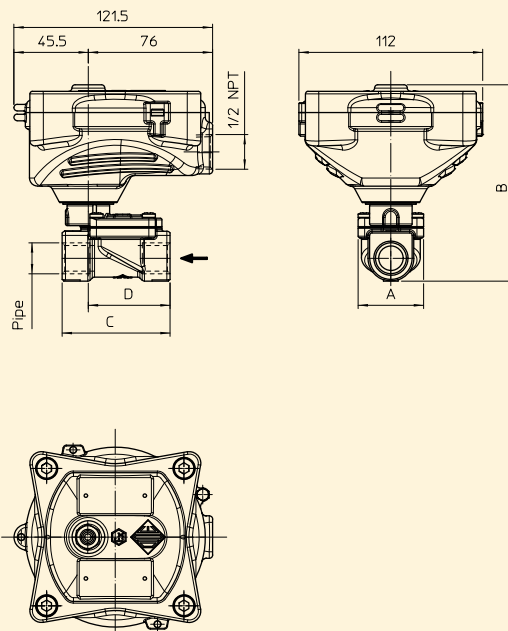
- 1. Coil:**
 BDA08012CS
 BDA08024CS
 BDA08024DS
 BDA08048AS
 BDA08048CS
 BDA08110CS
 BDA08110DS
 BDA08223DS

ACCESSORIES:

Code P992219 Cable Gland
(to be ordered separately)



DIMENSIONS:



Type	Pipe ISO 228/1	A mm	B mm	C mm	D mm
21WA3KIB130	G 3/8	40	120	60	47
21WA4KIB130	G 1/2			66	50

COIL TYPE	POWER ABSORPTION		
	W ==	Hold VA ~	Inrush VA ~
B	8	14,5	25