



Solenoid valve 2/2 way N.C. Direct acting

212A3KV15

÷

212A2KV55

PRESENTATION:

Direct acting S.V. for interception of fluids compatible with the construction materials.

Minimum operational pressure is not required.

The materials used and the tests carried out ensure maximum reliability and duration.

USE: Automation
Heating

PIPES: G 1/8 - G 1/4

COILS: 8W - Ø 13
BDA - BSA 155°C (class F)
BDV 180°C (class H)
12W - Ø 13
UDA 155°C (class F)
14W - Ø 13
GDH - GDV 180°C (class H)

COIL HOUSING AND COIL FORMER MATERIAL ARE MADE BY 100% VIRGIN MATERIAL.



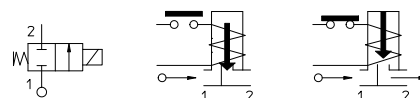
Max. allowable pressure (PS) 40 bar

Ambient temperature:

See coils catalogue page for its compatibility.

Gaskets	Temperature		Medium
	- 10°C	+140°C	
V=FKM (fluoroelastomer)	- 10°C	+140°C	Mineral oils (2°E), gasoline gas oil, fuel oils (7°E)
B=NBR (nitrile rubber)	- 10°C	+ 90°C	Air, inert gas, water

For seals other than FKM replace the letter "V" with the ones corresponding to the other seals. E.I. 212A2KB15.



Pipe ISO 228/1	Code	Max viscosity		Ø mm	Kv l/mn	Power watt	Pressure			
		cSt	°E				min bar	M.O.P.D.		
								AC bar	DC bar	
G 1/8	212A3KV15	12	~ 2	1,5	1,4	0	30	18		
	212A3KV20	37	~ 5	2	2		22	16		
							35	30		
	212A3KV25	53	~ 7	2,5	3,2		8	14	9	
							12	30	25	
	212A3KV30	53	~ 7	3	4		8	10	6	
							12	25	18	
	212A3KV45	53	~ 7	4,5	6,5		14	20	8	
							8	5	2	
	G 1/4	212A2KV15	12	~ 2	1,5		1,4	0	30	18
		212A2KV20	37	~ 5	2		2		22	16
									35	30
212A2KV25		53	~ 7	2,5	3,2	8	14		9	
						12	30		25	
212A2KV30		53	~ 7	3	4	8	10		6	
						12	25		18	
212A2KV45		53	~ 7	4,5	6,5	14	20		8	
						8	5		2	
212A2KV55		53	~ 7	5,5	9	8	12		7	
						12	3		1	
									7	2,5
							10	5		

The "ODE" reserves the right to carry out technical and aesthetic modifications without prior notification.

MATERIALS:

Body Brass - UNI EN 12165 CW617N
Welded armature tube Stainless steel AISI series 300 +
 Brass - UNI EN 12165 CW617N
Fixed core Stainless steel AISI series 400
Plunger Stainless steel AISI series 400
Phase displacement ring Copper - Cu 99,9%
Spring Stainless steel AISI series 300
Seal Standard: V=FKM
 On request: B=NBR

Orifice:
 < 3 mm **Insert slot** Stainless steel AISI series 300
 > 3 mm Brass - UNI EN 12165 CW617N

On request:
Connector Pg 9 or Pg 11
Connector conformity ISO 4400

FEATURES:

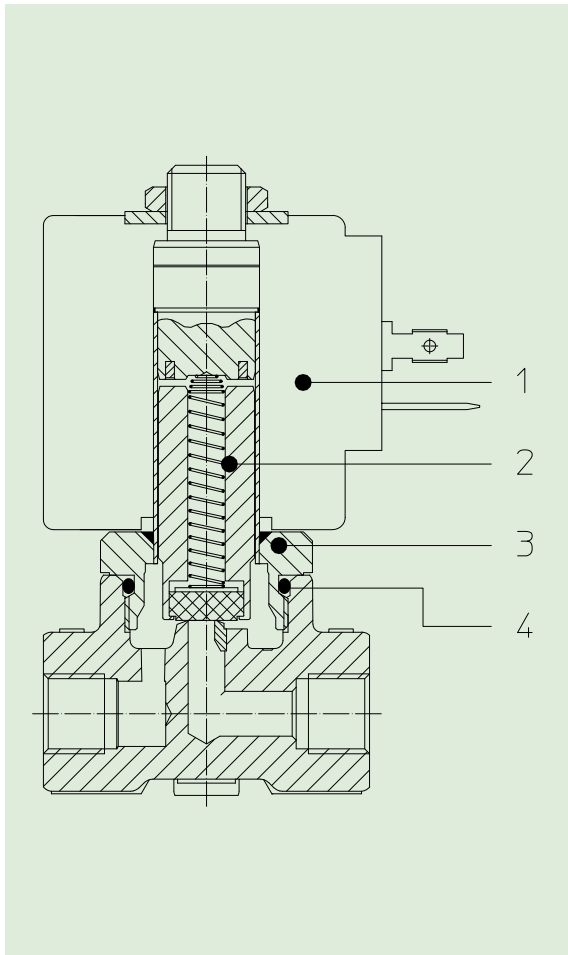
Electrical conformity IEC 335
Protection degree IP 65 EN 60529 (DIN 40050)
 with coil fitted by connector.

SPARE PARTS:

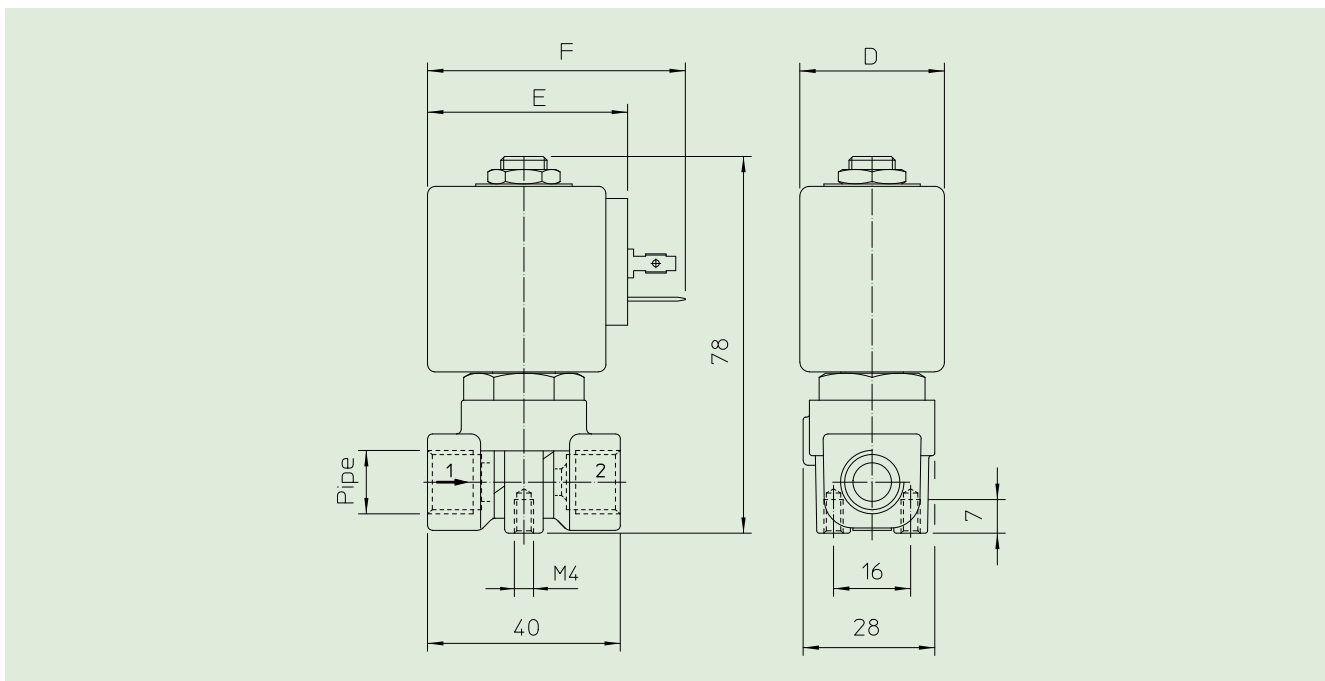
- 1. Coil:**
See coils list
- 2. Complete plunger:**
Code R450898/V
- 3. Complete armature tube:**
Code R450691
- 4. Gasket O-Ring:**
Code R990000/V

KIT:

KS130KV55-F= **2+3+4**



DIMENSIONS:



Type	Pipe ISO 228/1
212A3KV	G 1/8
212A2KV	G 1/4

COIL TYPE	POWER ABSORPTION			DIMENSIONS		
	W ==	Hold VA ~	Inrush VA ~	D mm	E mm	F mm
B	8	14,5	25	30	42	54
U	12	23	35	36	48	60
G	14	27	43	52	55	67