



Solenoid valve 5/2 way Servocontrolled Explosion proof - Atex Ex d

515620EIB15-N2

PRESENTATION:

Servocontrolled S.V. for interception of fluids compatible with the construction materials. Aluminium coil housing, explosion proof "Ex d". Electrical and electromechanical components according to Atex Directive 94/9/CE.

A minimum operational pressure of 1,3 bar is required. The materials used and the tests carried out ensure maximum reliability and duration.

USE: Potentially explosive atmospheres
Zone 1, 2, 21, 22

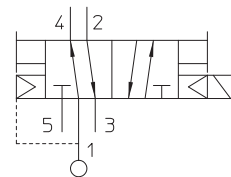
PIPES: 1/4 NPT

COILS: 8W - Ø 13
BDA 155°C (class F)

Max. allowable pressure (PS) 10 bar
Housing ambient temperature - 40°C + 60°C



Gaskets	Temperature		Medium
B=NBR (nitrile rubber)	- 10°C	+ 80°C	Lubricated air



2 POSITIONS
PNEUMATIC RETURN

Pipe ANSI/ASME BI.20.1	Code	Max viscosity		Ø mm	Kv l/mn	Power watt	Pressure		
		cSt	°E				min bar	M.O.P.D.	
								AC bar	DC bar
1/4 NPT	515620EIB15-N2	-	-	6	6,5	8	1,3	10	10



(According to Directive 94/9/CE ATEX)
II 2G Ex d IIC T6 o T5 Gb
II 2D Ex tb IIIC T80°C o T95°C Db IP67

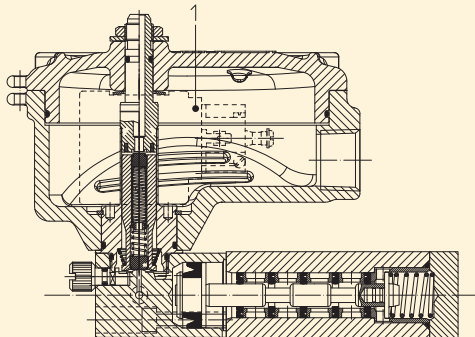
Note

Available on request and with minimum quantities.

The "ODE" reserves the right to carry out technical and aesthetic modifications without prior notification.

MATERIALS:

Body	Passivated Aluminium
Armature tube	Stainless steel AISI series 300
Fixed core	Stainless steel AISI series 400
Plunger	Stainless steel AISI series 400
Phase displacement ring	Copper - Cu 99,9%
Spring	Stainless steel AISI series 300
Seal	B=NBR
Orifice	Aluminium



Connector conformity ISO 4400

FEATURES:

Electrical conformity IEC 335
Protection degree IP 65 EN 60529 (DIN 40050)
with housing fitted by cable gland
Atex Ex d.

SPARE PARTS:

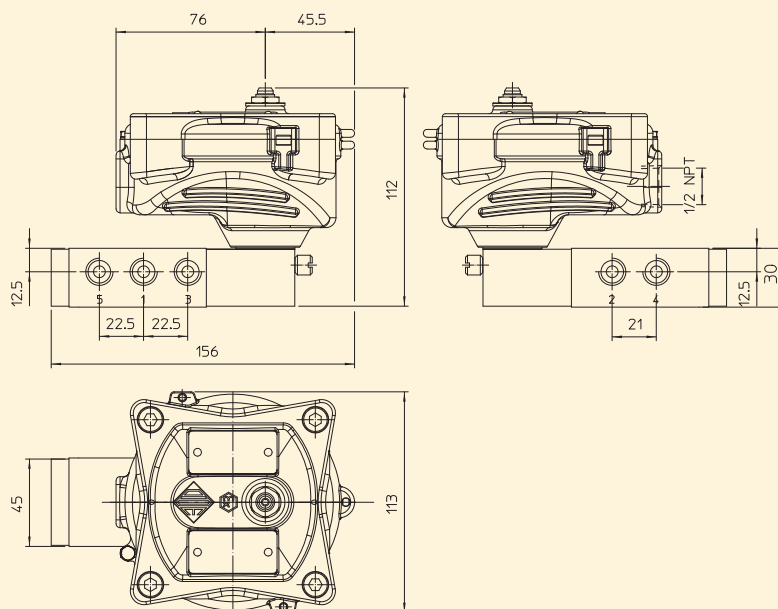
1. Coil:

BDA08012CS
BDA08024CS
BDA08024DS
BDA08048AS
BDA08048CS
BDA08110CS
BDA08110DS
BDA08223DS

ACCESSORIES:

Code P992219 Cable Gland
(to be ordered separately)

DIMENSIONS:



COIL TYPE	POWER ABSORPTION		
	W	Hold VA ~	Inrush VA ~
B	8	14,5	25