



# Solenoid valve 2/2 way N.C. With pilot control - Manual operation

21WA3K0B130-M

÷

21WA4K0B130-M

## PRESENTATION:

S.V. with pilot control for interception of fluids compatible with the construction materials.

A minimum operational pressure of 0,2 bar is required.

The materials used and the tests carried out ensure maximum reliability and duration.

**USE::** Automation  
Heating

**PIPES:** G 3/8 - G 1/2

**COILS:** 8W - Ø 13  
BDA - BSA 155°C (class F)  
BDV 180°C (class H)

**COIL HOUSING AND COIL FORMER MATERIAL ARE MADE BY 100% VIRGIN MATERIAL.**

Max. allowable pressure (PS) 25 bar

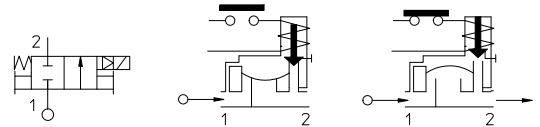
Ambient temperature:

See coils catalogue page for its compatibility.



Gaskets	Temperature		Medium
	- 10°C	+ 90°C	
<b>B</b> =NBR (nitrile rubber)	- 10°C	+ 90°C	Air, inert gas, water
<b>E</b> =EPDM (ethylene-propylene)	- 10°C	+140°C	Water, low pressure steam
<b>V</b> =FKM (fluoroelastomer)	- 10°C	+140°C	Mineral oils (2°E), gasoline gas oil

For seals other than NBR replace the letter "B" with the ones corresponding to the other seals. E.I. 21WA3K0V130-M



Pipe ISO 228/1	Code	Max viscosity		Ø mm	Kv l/mn	Power watt	Pressure		
		cSt	°E				min	M.O.P.D.	
							bar	AC bar	DC bar
G 3/8	21WA3K0B130-M	12	~ 2	13	60	8	0,2	16	16
G 1/2	21WA4K0B130-M								

The "ODE" reserves the right to carry out technical and aesthetic modifications without prior notification.

**MATERIALS:**

**Body** Brass - UNI EN 12165 CW617N  
**Armature tube** Stainless steel AISI series 300  
**Fixed core** Stainless steel AISI series 400  
**Plunger** Stainless steel AISI series 400  
**Phase displacement ring** Copper - Cu 99,9%  
**Spring** Stainless steel AISI series 300  
**Seal** Standard: B=NBR  
 On request: V=FKM  
**Orifice** Brass - UNI EN 12165 CW617N

**On request:** Pg 9 or Pg 11  
**Connector** ISO 4400  
**Connector conformity**

**FEATURES:**

**Electrical conformity** IEC 335  
**Protection degree** IP 65 EN 60529 (DIN 40050)  
 with coil fitted by connector.

**SPARE PARTS:**

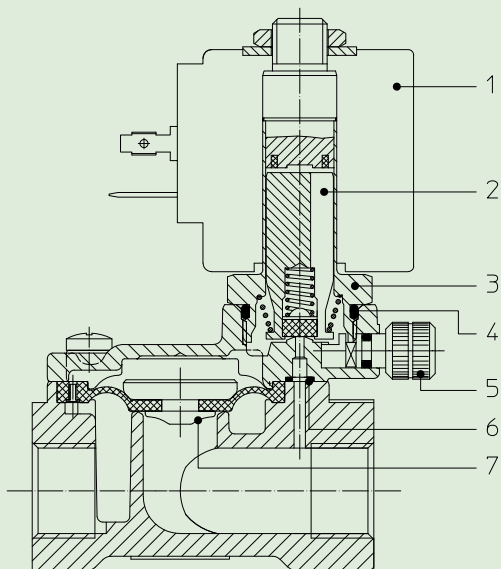
- 1. Coil:** See coils list
- 2. Complete plunger:** Code R450886/B
- 3. Complete armature tube:** Code R450603
- 4. Gasket O-Ring:** Code R990000/B
- 5. Manual operational:** Code R451772/B
- 6. Gasket O-Ring:** Code R990300/B
- 7. Complete diaphragm:** Code R452186/B

**KIT:**

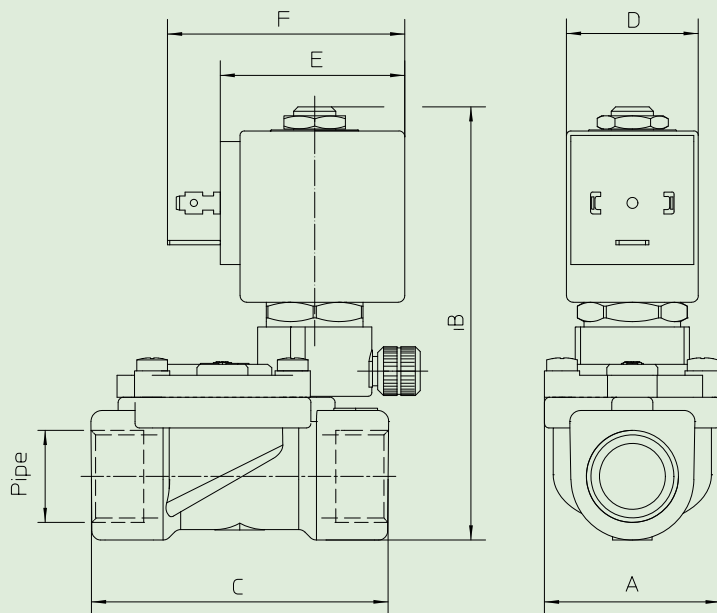
KT130KB30-F=2+3+4

**MAINTENANCE KIT:**

KTGWA3K0B13=2+6+7



**DIMENSIONS:**



Type	Pipe ISO 228/1	A mm	B mm	C mm
21WA3K0B130-M	G 3/8	40	97	60
21WA4K0B130-M	G 1/2			66

COIL TYPE	POWER ABSORPTION			DIMENSIONS		
	W ---	Hold VA ~	Inrush VA ~	D mm	E mm	F mm
B	8	14,5	25	30	42	54