



Solenoid piston valve 2/2 way N.O. pilot control

21PW3F0T120

÷

21PW4F0T120

PRESENTATION:

S.V. with pilot control for interception of fluids compatible with the construction materials.

A minimum operational pressure of 0,5 bar is required.

The materials used and the tests undertaken ensure maximum reliability and duration.

These solenoid valves are not suitable for stagnating fluids, or for fluids that being subject to evaporation may deposit solid, calcareous or similar residues.

USE: Automation, Compressors
Heating

PIPES: G 3/8 - G 1/2

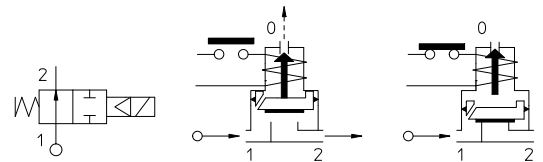
COILS: 8W - Ø 13
BDA - BSA 155°C (class F)
BDV 180°C (class H)

COIL HOUSING AND COIL FORMER MATERIAL ARE MADE BY 100% VIRGIN MATERIAL.

Max. allowable pressure (PS) 25 bar
Working temperatures - 10°C + 140°C



Gaskets	Temperature	Medium
T=PTFE (polytetrafluorethylen)	- 10°C + 180°C	Air, inert gas, water



Pipe ISO 228/1	Code	Max viscosity		Ø mm	Kv l/mn	Power watt	Pressure		
		cSt	°E				min bar	M.O.P.D. AC bar DC bar	
G 3/8	21PW3F0T120	12	~ 2	12*	32	8	0,5	18	18
G 1/2	21PW4F0T120				38				

Note

* 3rd way exhaust = = Ø 1,5 mm

The "ODE" reserves the right to carry out technical and aesthetic modifications without prior notification.

MATERIALS:

Body	Brass - UNI EN 12165 CW617N
Welded armature tube	Brass - UNI EN 12165 CW617N + Stainless steel AISI series 300
Fixed core	Stainless steel AISI series 400
Plunger	Stainless steel AISI series 400
Phase displacement ring	Copper - Cu 99,9%
Spring	Stainless steel AISI series 300
Piston	Stainless steel AISI series 300 + Tecnopolimero
Piston seal	V=FKM
Seal	T=PTFE
Orifice	Brass - UNI EN 12165 CW617N
On request:	
Connector	Pg 9 or Pg 11
Connector conformity	ISO 4400

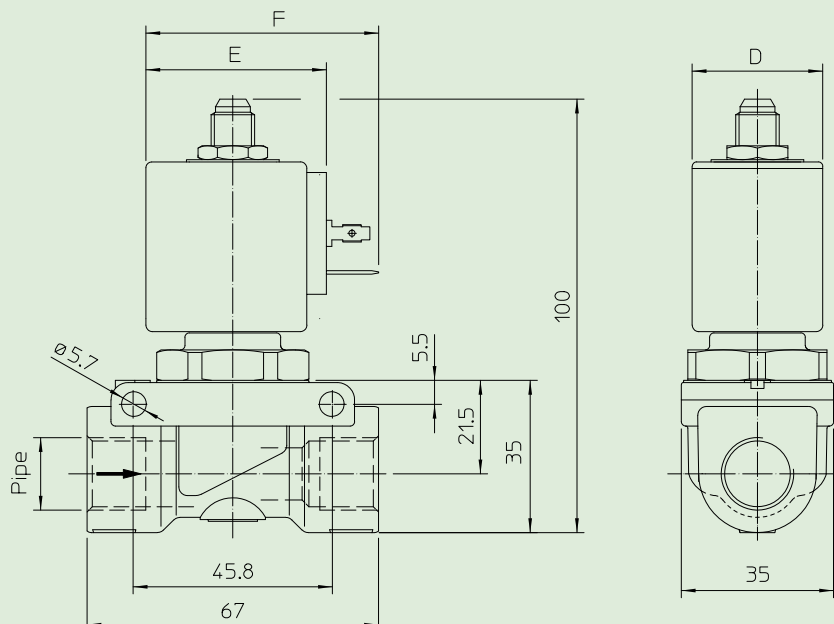
FEATURES:

Electrical conformity	IEC 335
Protection degree	IP 65 EN 60529 (DIN 40050) with coil fitted by connector

SPARE PARTS:

- 1. Coil:**
See coils list
- 2. Complete plunger:**
Code R450782/V
- 3. Complete armature tube:**
Code R452154
- 4. Gasket O-Ring:**
Code R990478/V
- 5. Spring:**
Code R450783
- 6. Complete piston:**
Code R452231

DIMENSIONS:



Type	Pipe ISO 228/1
21PW3F0T120	G 3/8
21PW4F0T120	G 1/2

COIL TYPE	POWER ABSORPTION			DIMENSIONS		
	W =	Hold VA ~	Inrush VA ~	D mm	E mm	F mm
B	8	14,5	25	30	42	54