



Solenoid valve 2/2 way N.C. With pilot control

21XN4K1V120

21XN6K1V250

PRESENTATION

S.V. with pilot control for interception of fluids compatible with the construction materials.

A minimum operational pressure of 0,1 bar is required.

The materials used and the tests carried out ensure maximum reliability and duration.

USE: Automation, Chemistry,
Low pressure steam

PIPES: 1/2 NPT - 1 NPT

COILS: 8W - Ø 13
BDA - BSA 155°C (class F)
BDV 180°C (class H)

**COIL HOUSING AND COIL FORMER MATERIAL ARE
MADE BY 100% VIRGIN MATERIAL**

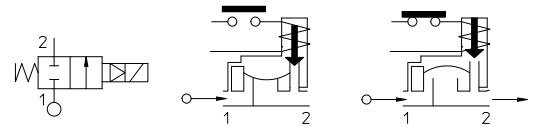
Max. allowable pressure (PS) 25 bar

Ambient temperature:

See coils catalogue page for its compatibility.



Gaskets	Temperature		Medium
	- 10°C	+140°C	
V=FKM (fluoroelastomer)	- 10°C	+140°C	Demineralized water, chemical products compatible with stainless steel

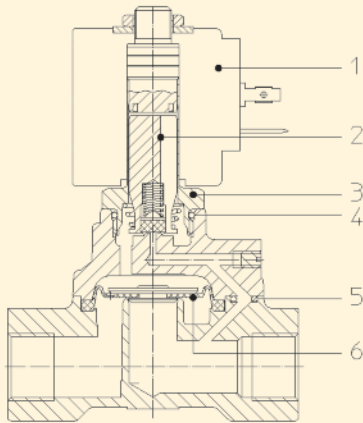


Pipe ANSI/ASME BI.20.1	Code	Max viscosity		Ø mm	Kv l/mn	Power watt	Pressure		
		cSt	°E				min bar	M.O.P.D.	
								AC bar	DC bar
1/2 NPT	21XN4K1V120	12	~ 2	12	35	8	0,1	20	20
1 NPT	21XN6K1V250			25				160	16

Note

Available on request and with minimum quantities.

The "ODE" reserves the right to carry out technical and aesthetic modifications without prior notification.



MATERIALS:

- Body** Stainless steel AISI 316
- Armature Tube** Stainless steel AISI series 300
- Fixed core** Stainless steel AISI series 400
- Plunger** Stainless steel AISI series 400
- Phase displacement ring** Gold plated copper
- Spring** Stainless steel AISI series 300
- Seal** V=FKM

Orifice Stainless steel AISI 316

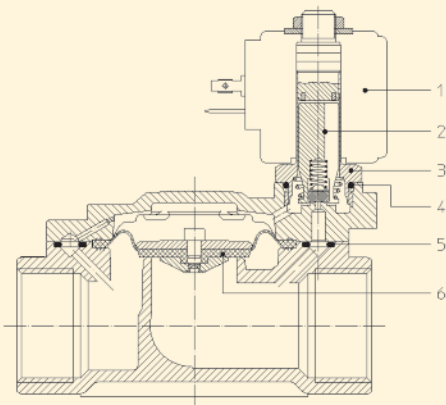
On request:
Connector Pg 9 or Pg 11
Connector conformity ISO 4400

FEATURES:

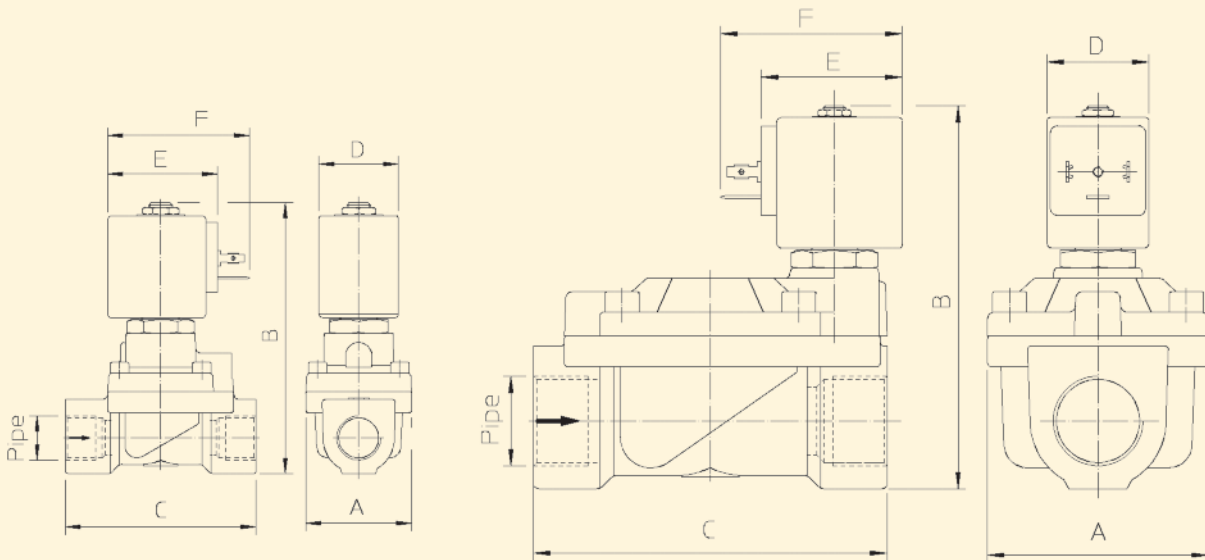
Electrical conformity IEC 335
Protection degree IP 65 EN 60529 (DIN 40050)
 with coil fitted by connector.

SPARE PARTS:

- 1. Coil:** See coils list
 - 2. Complete plunger:** Code R450886/V
 - 3. Complete armature tube without gasket:** Code R450811
 - 4. Gasket O-Ring:** Code R990000/V
 - 5. Gasket O-Ring:** Code R990003/V
 - 6. Complete diaphragm:** Code R450958/V
- KIT:** KT130KV30-H=2+3+4
MAINTENANCE KIT: Code R990002/V



DIMENSIONS:



Type	Pipe	A mm	B mm	C mm
21XN4K1V120	1/2 NPT	40	103	73
21XN6K1V250	1 NPT	65	115	104

COIL TYPE	POWER ABSORPTION			DIMENSIONS		
	W ==	Hold VA ~	Inrush VA ~	D mm	E mm	F mm
B	8	14,5	25	30	42	54