



Solenoid valve 2/2 way N.O. Combined operation

21HT3Z0Y110

÷

21HT5Z0Y160

PRESENTATION:

Combined operation S.V. for interception of fluids compatibles with the construction materials.

Minimum operational pressure is not required.

The materials used and the tests carried out ensure maximum reliability and duration.

USE: Automation, Vacuum packaging
Heating

PIPES: G 3/8 - G 3/4

COIL: 8W - Ø 13
BDA 155°C (class F)
BDV 180°C (class H)

COIL HOUSING AND COIL FORMER MATERIAL ARE MADE BY 100% VIRGIN MATERIAL.

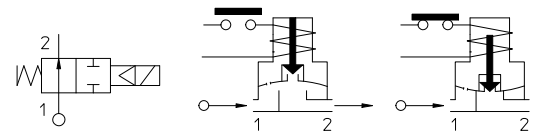
Max. allowable pressure (PS) 16 bar

Ambient temperature:

See coils catalogue page for its compatibility.



Gaskets	Temperature		Medium
Y=NBR + PA (nitrile rubber+polyamide)	- 10°C	+ 90°C	Air, gasolin, fuel oils, inert gas, water
V=FKM +PA (fluoroelastomer+polyamide)	- 10°C	+140°C	Mineral oils (2°E), gasoline gas oil



For seals other than NBR+PA replace the letter "Y" with the ones corresponding to the other seals. E.I. 21HT3Z0V110.

Pipe ISO 228/1	Code	Max viscosity		Ø mm	Kv l/mn	Power watt	Pressure		
		cSt	°E				min bar	M.O.P.D. AC bar DC bar	
G 3/8	21HT3Z0Y110	12	~ 2	11	20	8	0	10 *	10
G 1/2	21HT4Z0Y160			16	40				
G 3/4	21HT5Z0Y160								

Note

* To use in AC, the DCcoil will be supplied with a rectifier bridge.

The "ODE" reserves the right to carry out technical and aesthetic modifications without prior notification.

MATERIALS:

Body Brass - UNI EN 12165 CW617N
Armature tube Stainless steel AISI series 300
Fixed core Stainless steel AISI series 400
Plunger Stainless steel AISI series 400
Phase displacement ring Copper - Cu 99,9%
Spring Stainless steel AISI series 300
Seal Standard: Y=NBR+PA
 On request: V=FKM+PA
Orifice Brass - UNI EN 12165 CW617N

On request:
Connector Pg 9 or Pg 11
Connector conformity ISO 4400

FEATURES:

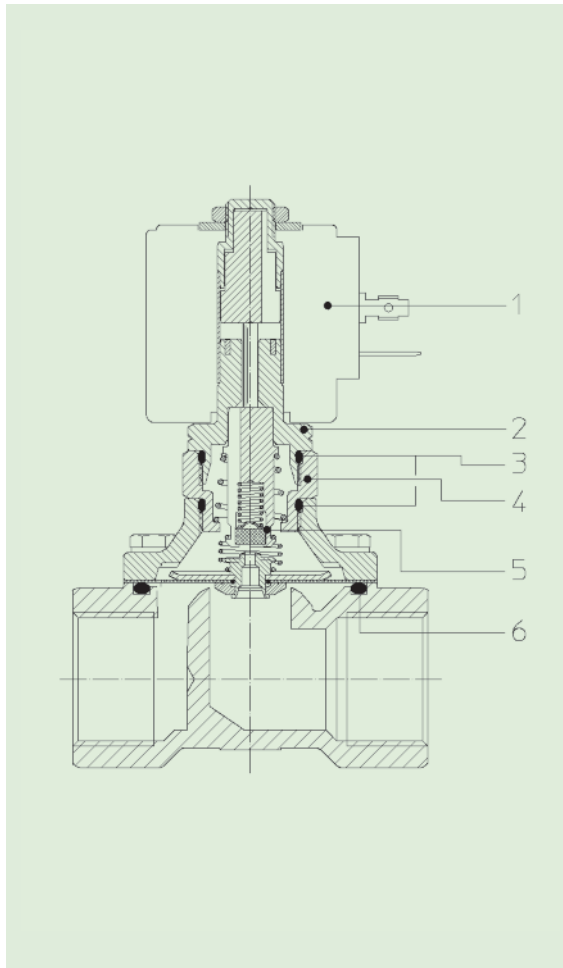
Electrical conformity IEC 335
Protection degree IP 65 EN 60529 (DIN 40050)
 with coil fitted by connector.

SPARE PARTS:

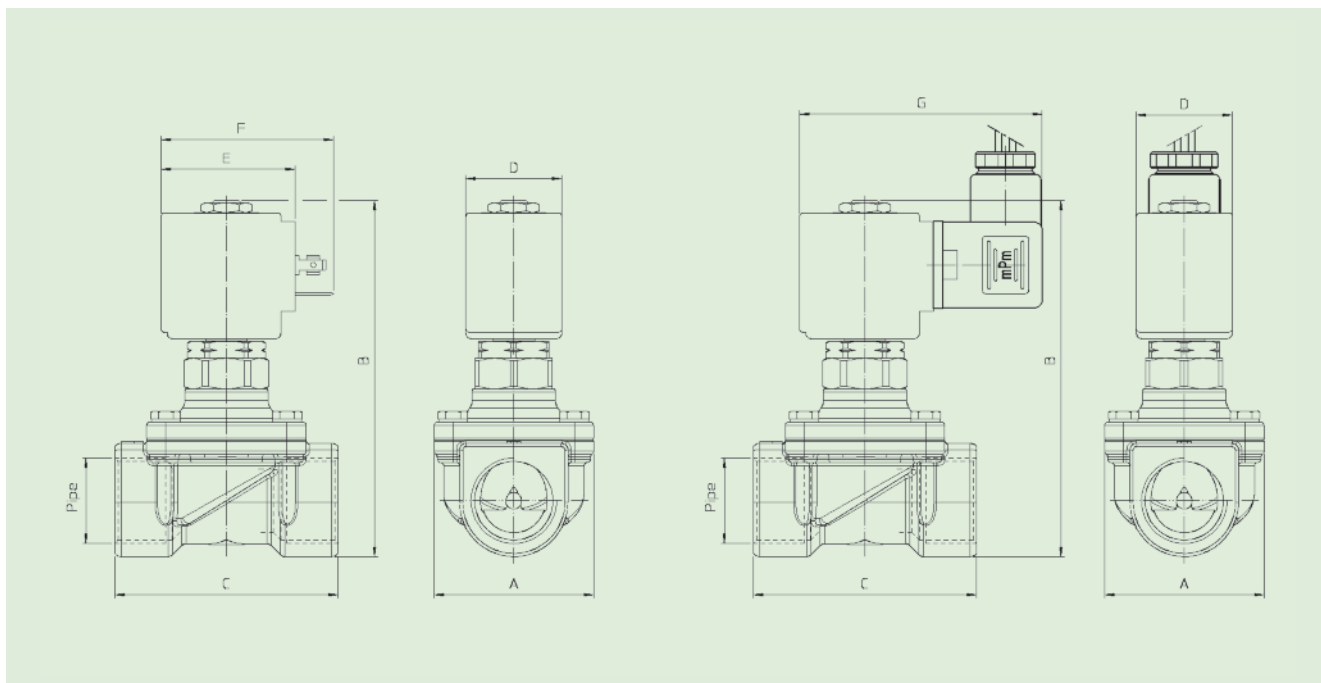
- 1. Coil:**
See coils list
- 2. Complete armature tube without gasket:**
Code R452908
- 3. Gasket O-Ring:**
Code R990000/B
- 4. Complete nut with gasket O-Ring:**
Code R452863/B
- 5. Complete diaphragm with spring :**
G 3/8 Code R452879/B
G 1/2 ÷ G 3/4 Code R452862/B
- 6. Gasekt O-Ring :**
Code R990105/G

MAINTENANCE KIT:

- G 3/8
KTGHT3Z0Y11=5+6
- G 1/2 ÷ G 3/4
KTGHT4Z0Y16=5+6



DIMENSIONS:



Type	Pipe ISO 228/1	A mm	B mm	C mm
21HT3Z0Y110	G 3/8	50	101	56
21HT4Z0Y160	G 1/2		112	70
21HT5Z0Y160	G 3/4			

COIL TYPE	POWER ABSORPTION			DIMENSIONS			
	W ---	Hold VA ~	Inrush VA ~	D mm	E mm	F mm	G mm
B	8	14,5	25	30	42	54	76