



# Solenoid valve 3/2 way N.C. Direct acting

31JKBW0V12

## PRESENTATION:

Direct acting S.V. for interception of fluids compatible with the construction materials.

Minimum operational pressure is not required.

The materials used and the tests carried out ensure maximum reliability and duration.

USE: Automation

PIPES: subplate mounting

COILS: 5W - Ø 10  
 LBA 155°C (class F)  
 LBF - LBV 180°C (class H)

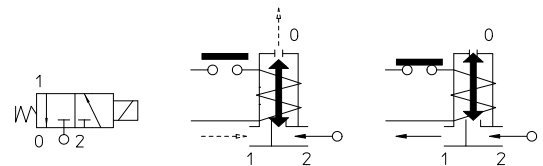
**MOULDING AND BOBBIN ARE MADE BY 100% VIRGIN MATERIAL.**

Max. allowable pressure (PS) 40 bar  
 Ambient temperature:  
 with coil class F - 10°C + 60°C  
 with coil class H - 10°C + 80°C



Gaskets	Temperature		Medium
V=FKM (fluoroelastomer)	- 10°C	+140°C	Mineral oils (2°E), gasoline, gas oil
B=NBR (nitrile rubber)	- 10°C	+ 90°C	Air, inert gas, water

For seals other than FKM replace the letter "V" with the ones corresponding to the other seals. E.I. 31JKBW0B12.



Pipe	Code	Max viscosity		Ø mm	Kv l/mn	Power (watt)	Pressure		
		cSt	°E				min bar	M.O.P.D. AC bar DC bar	
SUBPLATE MOUNTING	31JKBW0V12	12	~ 2	1,2*	1	5	0	15	15

## Note

\* 3rd way exhaust= Ø 1,5 mm

The "ODE" reserves the right to carry out technical and aesthetic modifications without prior notification.

**MATERIALS:**

**Body** Brass - UNI EN 12164 CW614N  
**Armature tube** Stainless steel AISI series 300  
**Fixed core** Stainless steel AISI series 400  
**Plunger** Stainless steel AISI series 400  
**Phase displacement ring** Copper - Cu 99,9%  
**Spring** Stainless steel AISI series 400  
**Seal** Standard: V=FKM  
 On request: B=NBR  
**Orifice** Brass - UNI EN 12164 CW614N

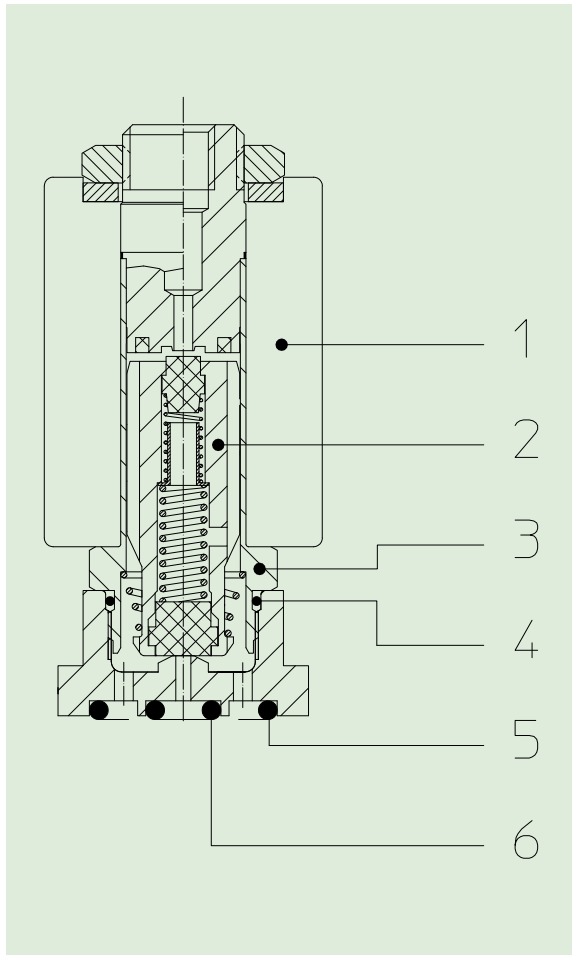
**On request:** Pg 9 or Pg 11  
**Connector** ISO 4400  
**Connector conformity**

**FEATURES:**

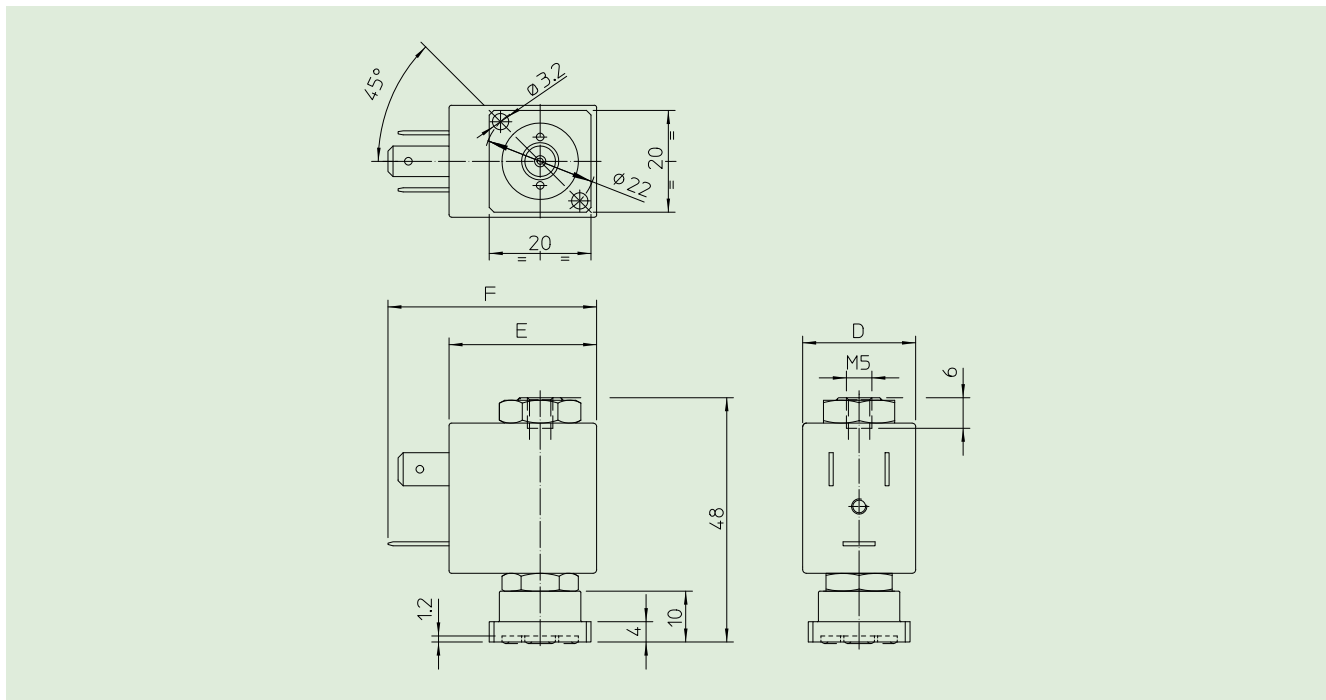
**Electrical conformity** IEC 335  
**Protection degree** IP 65 EN 60529 (DIN 40050)  
 with coil fitted by connector.

**SPARE PARTS:**

- 1. Coil:** See coils list **KIT:** KT100W0V25-FJ=2+3+4
- 2. Complete plunger:** Code R452061/V
- 3. Complete armature tube:** Code R452074
- 4. Gasket O-Ring:** Code R990597/V
- 5. Gasket O-Ring:** Code R990557/V
- 6. Gasket O-Ring:** Code R990169/V



**DIMENSIONS:**



COIL TYPE	POWER ABSORPTION			DIMENSIONS		
	W ---	Hold VA ~	Inrush VA ~	D mm	E mm	F mm
L	5	10	15	22	27,5	39,5