



# Solenoid valve 2/2 way N.C. Direct acting

21A2K0V25-W

÷

21A2K0V55-W

## PRESENTATION:

Direct acting S.V. for interception of fluids compatible with the construction materials.

Minimum operational pressure is not required.

The materials used and the tests carried out ensure maximum reliability and duration.

**USE:** Automation  
Heating

**PIPES:** G 1/4

**COILS:**

8W - Ø13	
BDA - BSA	155°C (class F)
BDV	180°C (class H)
12W - Ø 13	
UDA	155°C (class F)
14W - Ø 13	
GDH - GDV	180°C (class H)



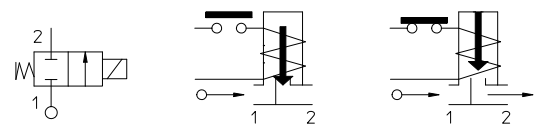
**COIL HOUSING AND COIL FORMER MATERIAL ARE MADE BY 100% VIRGIN MATERIAL.**

Max. allowable pressure (PS) 40 bar

Ambient temperature:

See coils catalogue page for its compatibility.

Gaskets	Temperature		Medium
	- 10°C	+140°C	
V=FKM (fluoroelastomer)	- 10°C	+140°C	Mineral oils (2°E), gasoline gas oil, fuel oils (7°E)
B=NBR (nitrile rubber)	- 10°C	+ 90°C	Air, inert gas, water
E=EPDM (ethylene-propylene)	- 10°C	+140°C	Water, steam



For seals other than FKM replace the letter "V" with the ones corresponding to the other seals. E.I. 21A2K0B30-W.

Pipe ISO 228/1	Code	Max viscosity		Ø mm	Kv l/mn	Power watt	Pressure				
		cSt	°E				min bar	M.O.P.D.			
								AC bar	DC bar		
G 1/4	21A2K0V25-W	53	~ 7	2,5	3,2	0	35	20			
	21A2K0V30-W			3	4				18	13	
	21A2K0V45-W			4,5	6,5				10	5	
				12	14				17	8	
				14	18				16		
	21A2K0V55-W			5,5	9				8	7	2
				12	10				3,5		
				14	13				7		

## Note

Available on request and with minimum quantities.

Also available with brass body without lead.

The "ODE" reserves the right to carry out technical and aesthetic modifications without prior notification.

### MATERIALS:

<b>Body</b>	Brass - UNI EN 12165 CW617N
<b>Armature tube</b>	Stainless steel AISI series 300
<b>Fixed core</b>	Stainless steel AISI series 400
<b>Plunger</b>	Stainless steel AISI series 400
<b>Phase displacement ring</b>	Copper - Cu 99,9%
<b>Spring</b>	Stainless steel AISI series 300
<b>Seal</b>	Standard: V=FKM On request: B=NBR E=EPDM

<b>Orifice:</b>	
≤ 3 mm	<b>Insert slot</b> Stainless steel AISI series 300
> 3 mm	Brass - UNI EN 12165 CW617N

<b>On request:</b>	
<b>Connector</b>	Pg 9 or Pg 11
<b>Connector conformity</b>	ISO 4400

### FEATURES:

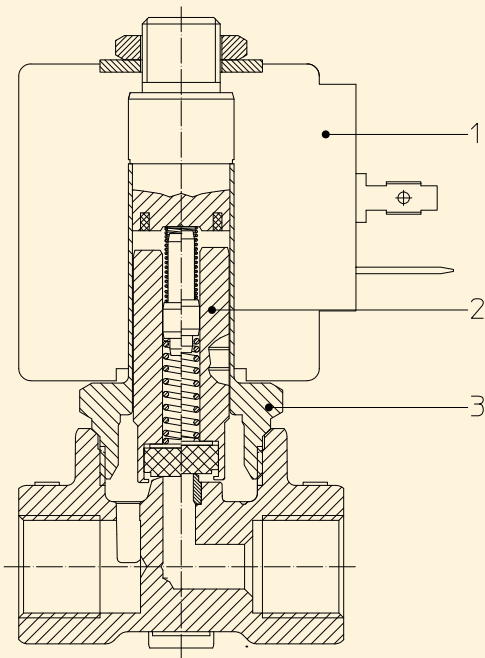
<b>Electrical conformity</b>	IEC 335
<b>Protection degree</b>	IP 65 EN 60529 (DIN 40050) with coil fitted by connector.

### SPARE PARTS:

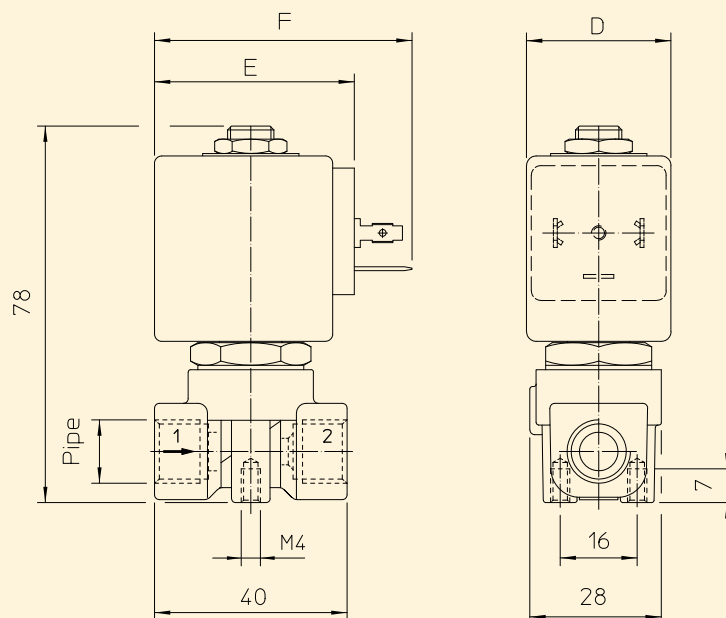
- Coil:**  
See coils list
- Complete plunger:**  
Code R450898/V-2561
- Complete armature tube:**  
Code R450606

### KIT:

KT130KV55-AM=2+3



### DIMENSIONS:



Typ	Pipe ISO 228/1
21A2K0V25-W	G 1/4
21A2K0V30-W	
21A2K0V45-W	
21A2K0V55-W	

COIL TYPE	POWER ABSORPTION			DIMENSIONS		
	W ==	Hold VA ~	Inrush VA ~	D mm	E mm	F mm
B	8	14,5	25	30	42	54
U	12	23	35	36	48	60
G	14	27	43	52	55	67