



# ELECTROMAGNET 30 mm x Ø 13 mm FOR POTENTIALLY EXPLOSIVE CONSTRUCTION Ex nA

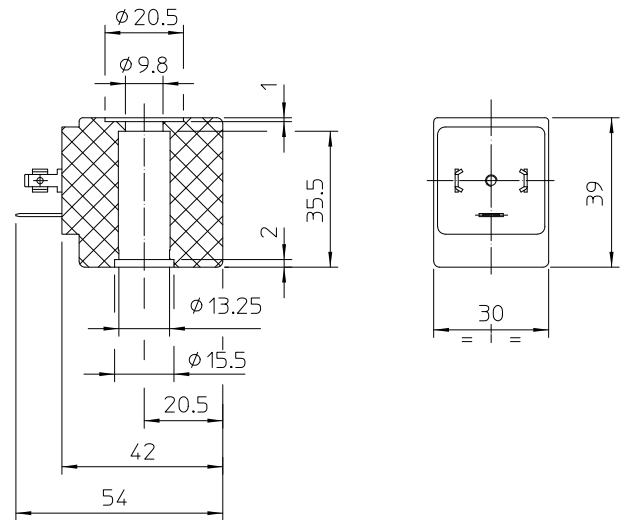
BDV08024C3  
÷  
BDV08230A3

COIL **BDV**

Coil housing material: PET - Black polyethylene - class H (180°C)

Winding: In class H

Electrical connections: With connector EN 175301-803 paragraph 5.3.1  
Protection degree IP65 EN 60529 (DIN 40050)



## MATERIAL ON STOCK:

Code	Power	Voltages Frequency	ED	Ambient temperature
BDV08024C3	8 W	24 ---	100%	- 20°C + 80°C
BDV08024D3	14,5 VA	24 ~ 50/60	100%	- 20°C + 80°C
BDV08110A3	14,5 VA	110 ~ 50 120 ~ 60	100%	- 20°C + 80°C
BDV08230A3	14,5 VA	230 ~ 50 240 ~ 60	100%	- 20°C + 80°C



(According to Directive 94/9/CE ATEX )

II 3G Ex nA IIC T3 Gc

II 3D Ex tc IIIC T200°C Dc IP 65

**NOMINAL VOLTAGES** DC + 10% -5%  
**TOLERANCES:** AC + 10% -15%

### Note

The coil to comply Atex protection category mentioned above will be supplied only with connector ATEX type Ex II 3GD IP65.  
ODE code be ordered separately: 992221  
Available on request and with minimum quantities.

The "ODE" reserves the right to carry out technical and aesthetic modifications without prior notification.