



Solenoid valve 2/2 way N.C. With pilot control

21WN3K0B130-MM

÷

21WN4K0B130-MM

PRESENTATION:

S.V. with pilot control for interception of fluids compatible with the construction materials.

A minimum operational pressure of 0,3 bar is required.

The materials used and the tests carried out ensure maximum reliability and duration.

USE: Automation
Heating

PIPES: 3/8 NPT - 1/2 NPT

COILS: 8W - Ø 13
BDA - BSA 155°C (class F)
BDV 180°C (class H)

COIL HOUSING AND COIL FORMER MATERIAL ARE MADE BY 100% VIRGIN MATERIAL.

Max. allowable pressure (PS) 20 bar

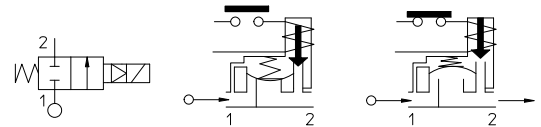
Ambient temperature:

See coils catalogue page for its compatibility.



Gaskets	Temperature		Medium
B =NBR (nitrile rubber)	- 10°C	+ 90°C	Air, inert gas, water
V =FKM (fluoroelastomer)	- 10°C	+140°C	Mineral oils (2°E), gasoline gas oil

For seals other than NBR replace the letter "B" with the ones corresponding to the other seals. E.I. 21WN3K0V130-MM.



Pipe ANSI/ASME BI.20.1	Code	Max viscosity		Ø mm	Kv l/mn	Power watt	Pressure		
		cSt	°E				min bar	M.O.P.D.	
								AC bar	DC bar
3/8 NPT	21WN3K0B130-MM	12	~ 2	13	60	8	0,3	16	16
1/2 NPT	21WN4K0B130-MM								

Note

Available on request and with minimum quantities.

The "ODE" reserves the right to carry out technical and aesthetic modifications without prior notification.

MATERIALS:

Body	Brass - UNI EN 12165 CW617N
Armature tube	Stainless steel AISI series 300
Fixed core	Stainless steel AISI series 400
Plunger	Stainless steel AISI series 400
Phase displacement ring	Copper - Cu 99,9%
Spring	Stainless steel AISI series 300
Seal	Standard: B=NBR On request: V=FKM
Orifice	Brass - UNI EN 12165 CW617N

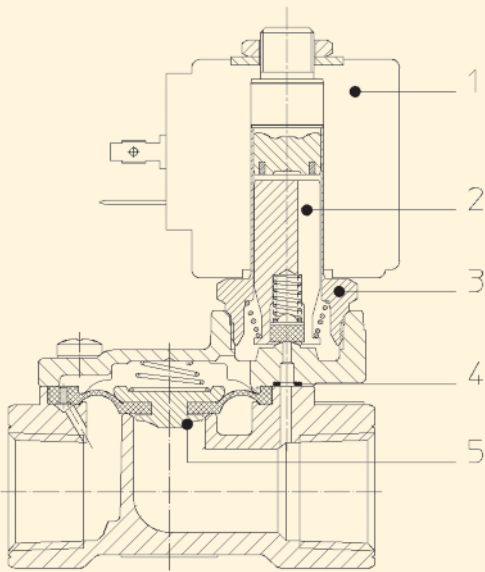
On request:	Pg 9 or Pg 11
Connector	ISO 4400
Connector conformity	

FEATURES:

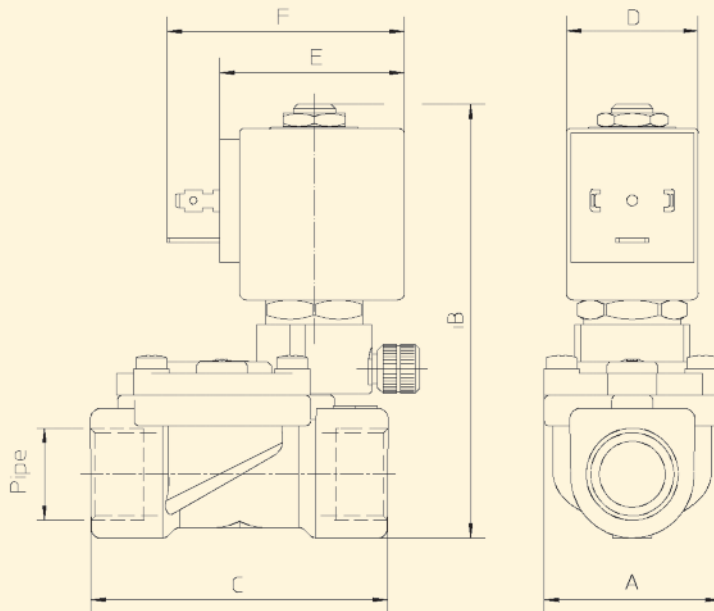
Electrical conformity	IEC 335
Protection degree	IP 65 EN 60529 (DIN 40050) with coil fitted by connector.

SPARE PARTS:

1. Coil:	See coils list	KIT:	KT130K B 30-A=2+3
2. Complete plunger:	Code R450886/ B	MAINTENANCE KIT:	
3. Complete armature tube:	Code R450606	KTGWA3K0 B 13-MM=2+4+5	
4. Gasket O-Ring:	Code R990300/ B		
5. Complete diaphragm with spring:	Code R452726/ B		



DIMENSIONS:



Type	Pipe	A mm	B mm	C mm
21WN3K0 B 130-MM	3/8 NPT	40	97	60
21WN4K0 B 130-MM	1/2 NPT			66

COIL TYPE	POWER ABSORPTION			DIMENSIONS		
	W ---	Hold VA ~	Inrush VA ~	D mm	E mm	F mm
B	8	14,5	25	30	42	54