



Solenoid valve 2/2 way N.C. With pilot control

21H9KV180

PRESENTATION:

S.V. with pilot control for interception of fluids compatible with the construction materials.

A minimum operational pressure of 0,1 bar is required.

The materials used and the tests carried out ensure maximum reliability and duration.

USE: Automation
Heating

PIPES: G 3/4

COILS:

8W - Ø 13	
BDA - BSA	155°C (class F)
BDV	180°C (class H)
12W - Ø 13	
UDA	155°C (class F)
14W - Ø 13	
GDH - GDV	180°C (class H)

**COIL HOUSING AND COIL FORMER MATERIAL ARE
MADE BY 100% VIRGIN MATERIAL.**

Max. allowable pressure (PS) 16 bar

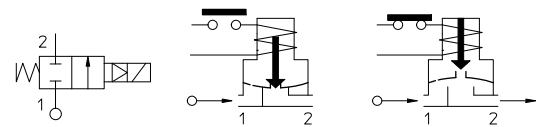
Ambient temperature:

See coils catalogue page for its compatibility.



Gaskets	Temperature		Medium
V=FKM (fluoroelastomer)	- 10°C	+140°C	Mineral oils (2°E), gasoline gas oil
B=NBR (nitrile rubber)	- 10°C	+ 90°C	Air, inert gas, water
E=EPDM (ethylene-propylene)	- 10°C	+140°C	Water, steam

For seals other than FKM replace the letter "V" with the ones corresponding to the other seals. E.I. 21H9KB180.



Pipe ISO 228/1	Code	Max viscosity		Ø mm	Kv l/mn	Power watt	Pressure			
		cSt	°E				min bar	M.O.P.D. AC bar DC bar		
G 3/4	21H9KV180	12	~ 2	18	50	8	0,1	16	3	
						12			10	
						14			16	

The "ODE" reserves the right to carry out technical and aesthetic modifications without prior notification.

MATERIALS:

Body	Brass - UNI EN 12165 CW617N
Weleded armature tube	Stainless steel AISI series 300+
	Brass - UNI EN 12165 CW617N
Fixed core	Stainless steel AISI series 400
Plunger	Stainless steel AISI series 400
Phase displacement ring	Copper - Cu 99,9%
Spring	Stainless steel AISI series 300
Seal	Standard: V=FKM
	On request: B=NBR E=EPDM
Orifice	Brass - UNI EN 12165 CW617N

On request:

Connector	Pg 9 or Pg 11
Connector conformity	ISO 4400

FEATURES:

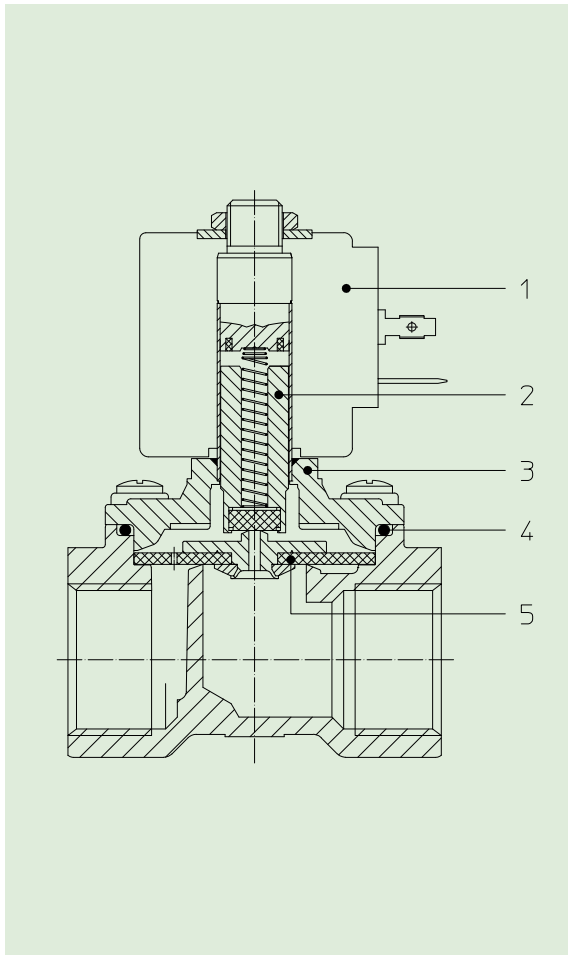
Electrical conformity	IEC 335
Protection degree	IP 65 EN 60529 (DIN 40050) with coil fitted by connector

SPARE PARTS:

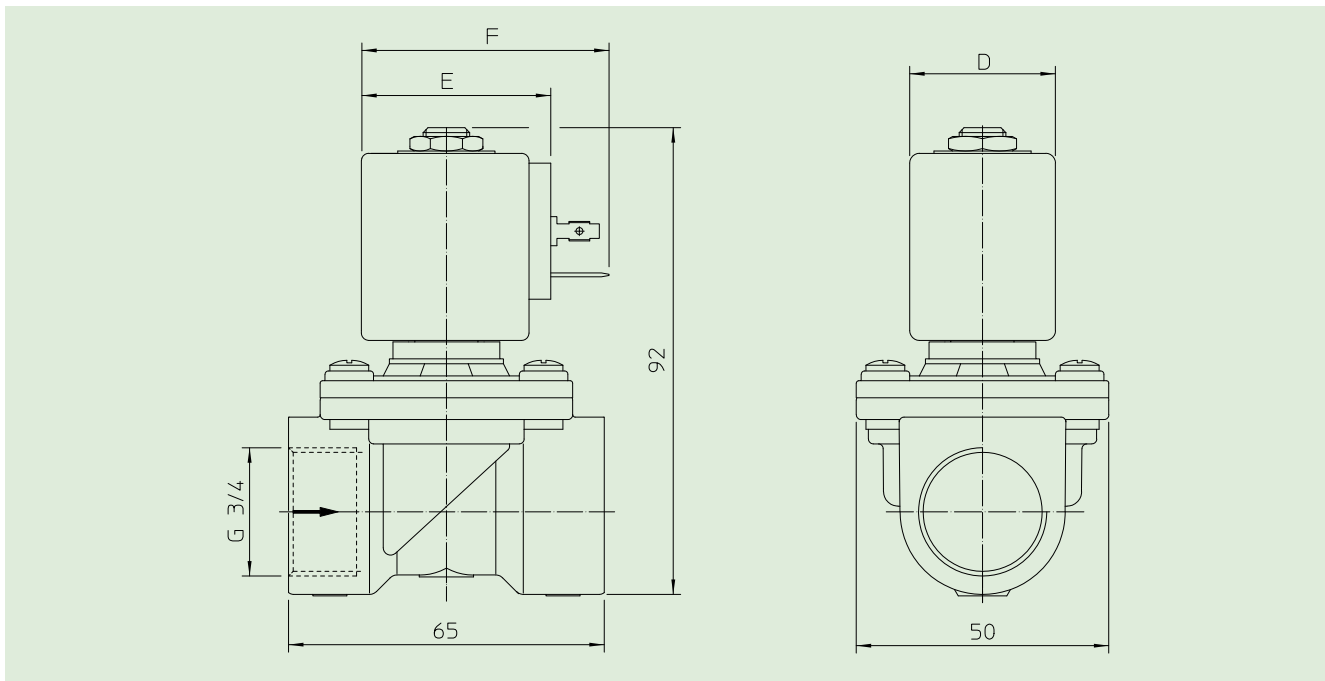
- Coil:**
See coils list
- Complete plunger:**
Code R451284/V
- Complete cover with armature tube without gasket:**
Code R452291
- Gasket O-Ring:**
Code R990105/V
- Complete diaphragm:**
Code R451220/V

MAINTENANCE KIT:

KTG0H9KV18=2+4+5



DIMENSIONS:



COIL TYPE	POWER ABSORPTION			DIMENSIONS		
	W ==	Hold VA ~	Inrush VA ~	D mm	E mm	F mm
B	8	14,5	25	30	42	54
U	12	23	35	36	48	60
G	14	27	43	52	55	67