



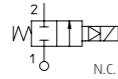
FEATURES

- ▶ Dedicate to CPT Market
- ▶ Explosion proof rate
- ▶ Reliable construction

TECHNICAL SPECIFICATION

- ▶ **Body material:** Stainless Steel AISI 316
- ▶ **Armature tube:** Stainless Steel AISI 300 series
- ▶ **Plungers:** Stainless Steel AISI 400 series
- ▶ **Spring:** Stainless Steel AISI 300 series
- ▶ Ex d Housing in Aluminium die cast
- ▶ **Media:** mineral oils, gasoline, diesel, fuel oils, air inert gases, water, 134 a, R 404a
- ▶ **Ex m Ambient temperature:** See coils catalogue page for its compatibility
- ▶ **Ex m Fluid temperature:** -10°C +80°C with FKM seals
- ▶ **Ex d Housing Ambient temperature:** -40°C +60°C
- ▶ **Ex d Fluid temperature:** -30°C +80°C with H-NBR seals
-10°C +140°C with FKM seals
- ▶ **Design pressure PS:** 25 bar
- ▶ **Protection class:** Ex m IP65 (complete with electric plug)
Ex d IP 65 (with hosing fitted by cable gland Atex Ex d)
- ▶ **Electrical conformity:** IEC 335

- ▶ **Switching time:** 20-40 msec (depending on pressure conditions)
- ▶ (Conforme to Atex Directive 94/9/CE ATEX)
For S.V. 21X2Q..
II 2G Ex mb IIC Gb
II 2D Ex tb IIIC t130°C Db
- For S.V. 21X2KI..
II 2G Ex d IIC t6 o t5 Gb
II 2D Ex bb IIIC T80°C o T95°C Db
(Tamb: -40°C ≤ +60°C)



21X	2	QD	V	120	
Model valve	2= G 1/2 4= 1/2 NPT 3= G 3/4 5= 3/4 NPT 4= G 1 6= 1 NPT	QD= N.C. Ex m KI= N.C. Ex d	V= FKM F= H-NBR	120 190 250	Orefice 10 ⁻¹ mm

B	D	A	08	012	C	S
B= 30mm Ø 13	D EN 175301-803	A= Class F	08= 8W	012= 12V 024= 24V 048= 48V 110= 110V 223= 220V-230V	C= DC A= AC	S= Without Approval(*)

(*) Ex d protection class when assembled with Ex housing

T	N	A	4X	024	D	4
T= 36mm Ø 14,5	N 3 cables cm 300	A= Class F	4X= 7,2V 5X= 9,13V 05= 7,7V-9,2V 10= 10,1W	024= 24V 110= 110V 224= 220V-240V 024= 24V	D= AC C= DC	4= Ex m T4

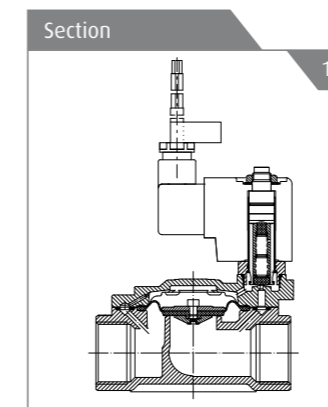
PIPE	Ø (mm)	Kv (l/min)	MAX VISCOSITY cSt (°E)	PRESSURE min	PRESSURE MAX MOPD (bar)				GAS CODE	NPT CODE	DRAWING REFERENCE
					COIL TYPE						
					AC		DC				
B	T	B	T								

Normally Closed Ex m

1/2	12	35	12(2)	0,1	-	16	-	16	21X2QDV120	21XN4QDV120	1
3/4	19	130	12(2)		-	16	-	16	21X3QDV190	21XN5QDV190	1
1	25	160	12(2)		-	16	-	16	21X4QDV250	21XN6QDV250	1

Normally Closed Ex d

1/2	12	35	12(2)	0,1	20	-	20	-	21X2KIV120	21XN2KIV120	2
3/4	19	130	12(2)		16	-	16	-	21X3KIV190	21XN3KIV190	2
1	25	160	12(2)		16	-	16	-	21X4KIV250	21XN4KIV250	2

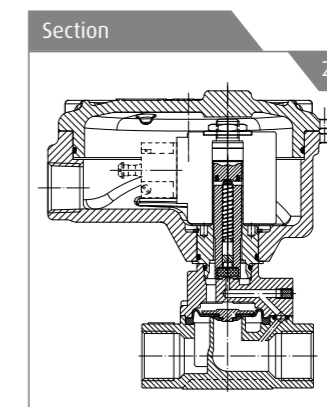


REPAIR KIT

For spare parts please consult our technical department

Coil P/N Ex mb II T 4

- RTNA4X024D4
- RTNA5X110D4
- RTNA05224DA
- RTNA10024C4



REPAIR KIT

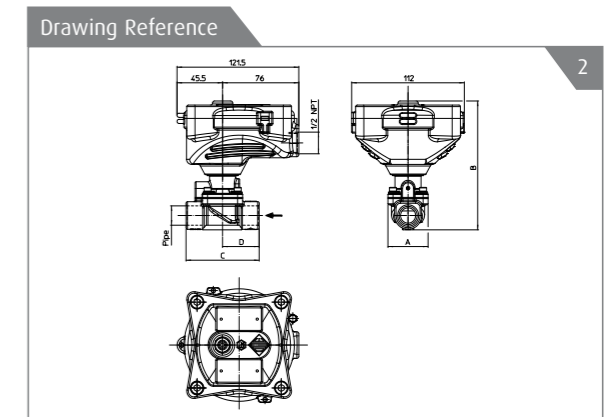
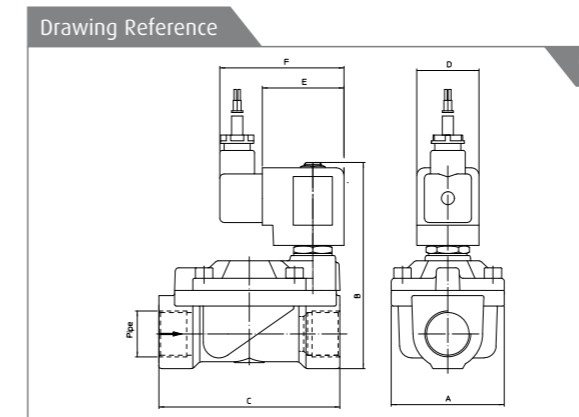
For spare parts please consult our technical department

ACCESSORIES

Code P992219 Cable Gland (to be ordered separately)

INSTALLATION

- ▶ The solenoid valves can be mounted in any position
- ▶ Maintenance and instruction sheet available in each solenoid valve box
- ▶ Attention: for fuse selection please refer to the "Instruction sheet Atex products" delivered together with the valve
- ▶ Holes and threaded connections for panel fixing



Dimensionale Table

Figure	Pipe	Coil Type	A mm	B mm	C mm	D mm	E mm	F mm
1-2	G 1/2 1/2 NPT	B T	40	120 110	73	36,5 36	- 47	71
	G 3/4 3/4 NPT	B T	65	136 120	104	88,5 36	- 47	71
	G 1 1 NPT	B T	65	136 120	104	88,5 36	- 47	71

