



Solenoid valve 3/2 way N.C. Direct acting Explosion proof - Atex Ex d

31A3EIV10
÷
31A2EIV30

PRESENTATION:

Direct acting S.V. for interception of fluids compatible with the construction materials. Aluminium coil housing, explosion proof "Ex d". Electrical and electromechanical components according to Atex Directive 94/9/CE

Minimum operational pressure is not required.

The materials used and the tests carried out ensure maximum reliability and duration.

USE: Potentially explosive atmospheres
Zone 1, 2, 21, 22

PIPES: G 1/8 - G 1/4

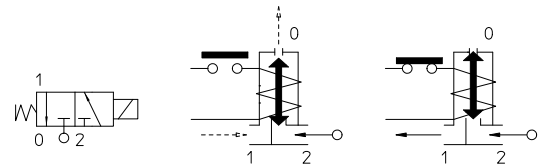
COIL: 8W - Ø 13
BDA 155°C (class F)

Max. allowable pressure (PS) 40 bar
Housing ambient temperature - 40°C + 60°C



Gaskets	Temperature		Medium
V=FKM (fluoroelastomer)	- 10°C	+ 80°C	Mineral oils (2°E), gasoline gas oil, fuel oils (7°E))
F=H-NBR (hydrogenated nitrile)	- 30°C	+ 80°C	Air, inert gas, water R 134a, R 404a

For seals other than FKM replace the letter "V" with the ones corresponding to the other seals. E.I. 31A2EIV20.



Pipe ISO 228/1	Code	Max viscosity		Ø mm	Kv l/mn	Power watt	Pressure		
		cSt	°E				min bar	M.O.P.D. AC bar DC bar	
G 1/8	31A3EIV10	12	~ 2	1*	0,45	8	0	20	20
	31A3EIV15			1,5*	1,4			15	15
	31A3EIV20	37	~ 5	2*	2			10	10
	31A3EIV25	53	~ 7	2,5*	3,2			6	6
	31A3EIV30			3*	4			5	5
G 1/4	31A2EIV10	12	~ 2	1*	0,45			20	20
	31A2EIV15			1,5*	1,4			15	15
	31A2EIV20	37	~ 5	2*	2			10	10
	31A2EIV25	53	~ 7	2,5*	3,2			6	6
	31A2EIV30			3*	4			5	5



(According to Directive 94/9/CE ATEX)
II 2G Ex d IIC T6 o T5 Gb
II 2D Ex tb IIC T80°C o T95°C Db IP67

Note

Available on request and with minimum quantities.

* 3rd way exhaust= Ø 3 mm

Also available with brass body without lead.

The "ODE" reserves the right to carry out technical and aesthetic modifications without prior notification.

MATERIALS:

Body	Brass - UNI EN 12165 CW617N
Armature tube	Stainless steel AISI series 300
Fixed core	Stainless steel AISI series 400
Plunger	Stainless steel AISI series 400
Phase displacement ring	Copper - Cu 99,9%
Spring	Stainless steel AISI series 300
Seal	Standard: V=FKM On request: F=H-NBR
Orifice: Insert slot	Stainless steel AISI series 300
Housing	Aluminium die cast

Connector conformity ISO 4400

FEATURES:

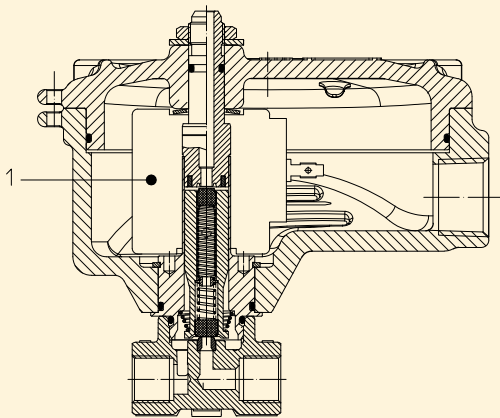
Electrical conformity	IEC 335
Protection degree	IP 65 EN 60529 (DIN 40050) with hosing fitted by cable gland Atex Ex d.

SPARE PARTS:

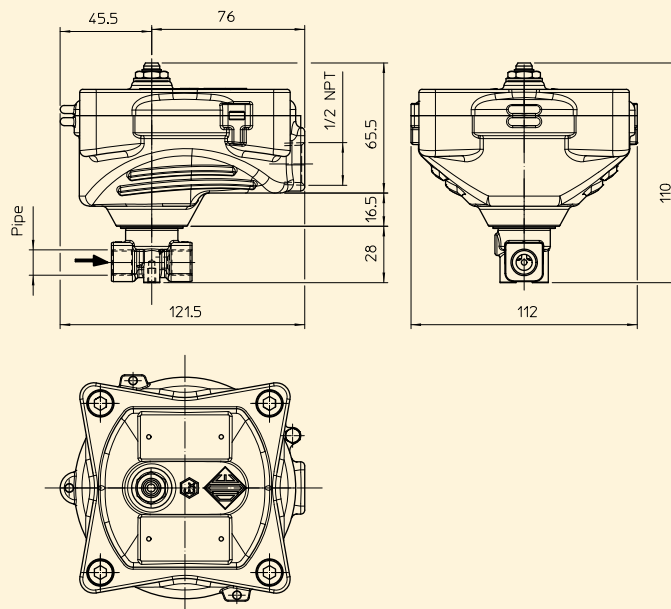
- 1. Coil:**
BDA08012CS
BDA08024CS
BDA08024DS
BDA08048AS
BDA08048CS
BDA08110CS
BDA08110DS
BDA08223DS

ACCESSORIES:

Code P992219 Cable Gland
(to be ordered separately)



DIMENSIONS:



COIL TYPE	POWER ABSORPTION		
	W ---	Hold VA ~	Inrush VA ~
B	8	14,5	25