



Solenoid valve 2/2 way N.C. Combined operation Explosion proof - Atex Ex d

21IN3KIV150-IH

÷

21IN8KIV400-IH

PRESENTATION:

Combined operation S.V. for interception of fluids compatible with the construction materials. Aluminium coil housing, explosion proof "Ex d". Electrical and electromechanical components according to Atex Directive 94/9/CE.

Minimum operational pressure is not required.

The materials used and the tests carried out ensure maximum reliability and duration.

USE: Potentially explosive atmospheres
Zone 1, 2, 21, 22

PIPES: 3/8 NPT - 1 1/2 NPT

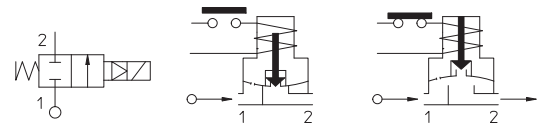
COIL: 8W - Ø 13
BDA 155°C (class F)

Max. allowable pressure (PS) 16 bar
Housing ambient temperature - 40°C + 60°C



Gaskets	Temperature		Medium
V =FKM+ PA (fluorelastomer+polyamide)	- 10°C	+80°C	Mineral oils (2°E),gasoline gas oil
B =NBR (nitrile rubber) + PA (polyamide)	- 10°C	+ 80°C	Air, inert gas, water

For seals other than FKM replace the letter "V" with the ones corresponding to the other seals. E.I. 21IN3KIB150-IH.



Pipe ANSI/ASME BI.20.1	Code	Max viscosity		Ø mm	Kv l/mn	Power watt	Pressure		
		cSt	°E				min bar	M.O.P.D.	
								AC bar	DC bar
3/8 NPT	21IN3KIV150-IH	12	~ 2	15	40	8	0	14	6
1/2 NPT	21IN4KIV160-IH			16	50				
3/4 NPT	21IN5KIV200-IH			20	60				
1 NPT	21IN6KIV250-IH			25	140				
1 1/4 NPT	21IN7KIV350-IH			35	300			9	-
1 1/2 NPT	21IN8KIV400-IH			40	340				



(According to Directive 94/9/CE ATEX)
II 2G Ex d IIC T6 o T5 Gb
II 2D Ex tb IIIC T80°C o T95°C Db IP6

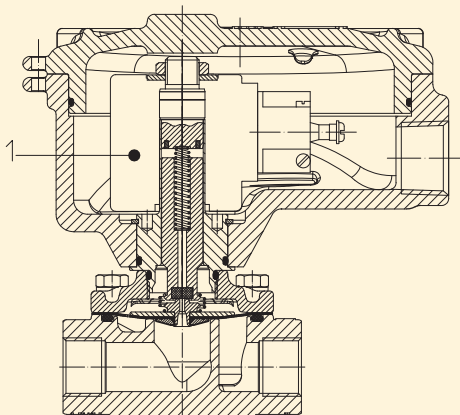


(Pressure Equipment Directive 97/23/CE)
for S.V. 21IN7..IH÷21IN8..-IH

Note

Available on request and with minimum quantities.

The "ODE" reserves the right to carry out technical and aesthetic modifications without prior notification.



MATERIALS:

Body Stainless steel AISI 316
Armature tube Stainless steel AISI 316
Fixed core Stainless steel AISI series 400
Plunger Stainless steel AISI series 400
Phase displacement ring Gold plated copper
Spring Stainless steel AISI series 300
Seal Standard: V=FKM+PA
 On request: B=NBR+PA
Orificie Stainless steel AISI 316
Housing Aluminium die cast

Connector conformity ISO 4400

FEATURES:

Electrical conformity IEC 335
Protection degree IP 65 EN 60529 (DIN 40050)
 with housing fitted by cable gland
 Atex Ex d.

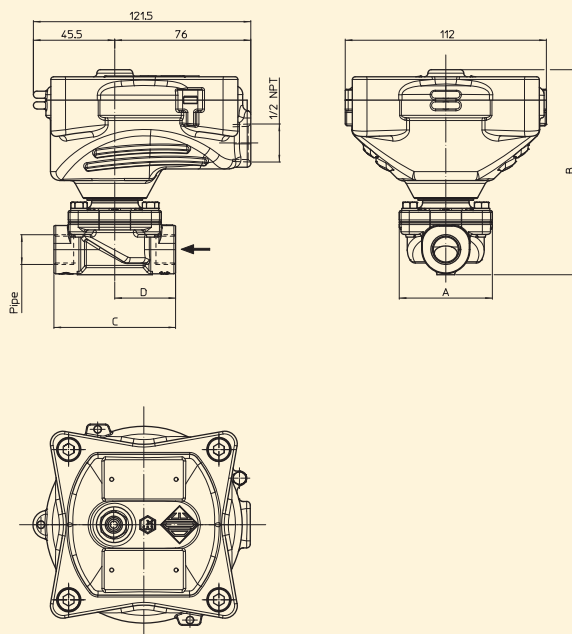
SPARE PARTS:

- 1. Coil:**
 BDA08012CS
 BDA08024CS
 BDA08024DS
 BDA08048AS
 BDA08048CS
 BDA08110CS
 BDA08110DS
 BDA08223DS

ACCESSORIES:

Code P992219 Cable Gland
 (to be ordered separately)

DIMENSIONS:



Type	Pipe	A mm	B mm	C mm	D mm
21IN3KIV150-IH	3/8 NPT	52	114,5	68	34
21IN4KIV160-IH	1/2 NPT				
21IN5KIV200-IH	3/4 NPT	58	123	75	37,5
21IN6KIV250-IH	1 NPT	65	131	90	45
21IN7KIV350-IH	1 1/4 NPT	94	126,5	128	64
21IN8KIV400-IH	1 1/2 NPT				

COIL TYPE	POWER ABSORPTION		
	W	Hold VA ~	Inrush VA ~
B	8	14,5	25