



# Solenoid piston valve 2/2 way N.O. pilot control

21PW3F0V120

÷

21PW4F0V120

## PRESENTATION:

S.V. with pilot control for interception of fluids compatible with the construction materials.

A minimum operational pressure of 0,3 bar is required.

The materials used and the tests undertaken ensure maximum reliability and duration.

These solenoid valves are not suitable for stagnating fluids, or for fluids that being subject to evaporation may deposit solid, calcareous or similar residues.

**USE:** Automation, Compressors  
Heating

**PIPES:** G 3/8 - G 1/2

**COILS:** 8W - Ø 13  
BDA - BSA 155°C (class F)  
BDV 180°C (class H)

**COIL HOUSING AND COIL FORMER MATERIAL ARE MADE BY 100% VIRGIN MATERIAL.**

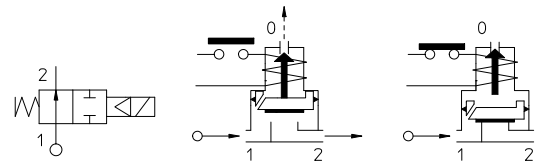
Max. allowable pressure (PS) 25 bar

Ambient temperature:

See coils catalogue page for its compatibility.



Gaskets	Temperature	Medium
V=FKM (fluoroelastomer)	- 10°C + 140°C	Air, inert gas, water



Pipe ISO 228/1	Code	Max viscosity		Ø mm	Kv l/mn	Power watt	Pressure		
		cSt	°E				min bar	M.O.P.D. AC bar DC bar	
G 3/8	21PW3F0V120	12	~ 2	12*	32	8	0,3	15	15
G 1/2	21PW4F0V120				38				

## Note

\* 3rd way exhaust = = Ø 1,5 mm

The "ODE" reserves the right to carry out technical and aesthetic modifications without prior notification.

## MATERIALS

<b>Body</b>	Brass - UNI EN 12165 CW617N
<b>Welded armature tube</b>	Brass - UNI EN 12165 CW617N + Stainless steel AISI series 300
<b>Fixed core</b>	Stainless steel AISI series 400
<b>Plunger</b>	Stainless steel AISI series 400
<b>Phase displacement ring</b>	Copper - Cu 99,9%
<b>Spring</b>	Stainless steel AISI series 300
<b>Piston</b>	Tecnopolimero
<b>Piston seal</b>	V=FKM
<b>Seal</b>	V=FKM
<b>Orifice</b>	Brass - UNI EN 12165 CW617N

## On request:

<b>Connector</b>	Pg 9 or Pg 11
<b>Connector conformity</b>	ISO 4400

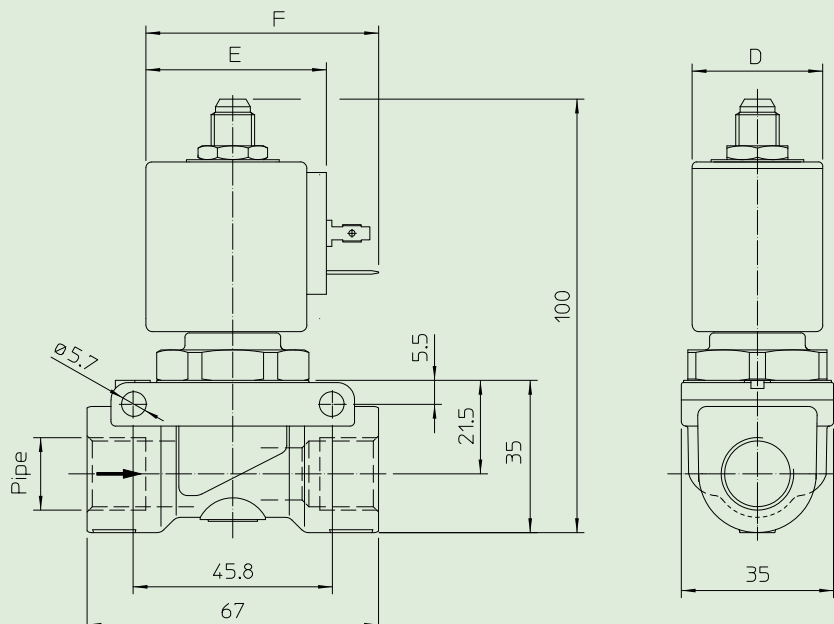
## FEATURES:

<b>Electrical conformity</b>	IEC 335
<b>Protection degree</b>	IP 65 EN 60529 (DIN 40050) with coil fitted by connector.

## SPARE PARTS:

- Coil:**  
See coils list
- Complete plunger:**  
Code R450782/V
- Complete armature tube:**  
Code R452154
- Gasket O-Ring:**  
Code R990478/V
- Spring:**  
Code R452151
- Complete piston:**  
Code R452150/V

## DIMENSIONS:



Type	Pipe ISO 228/1
21PW3F0V120	G 3/8
21PW4F0V120	G 1/2

COIL TYPE	POWER ABSORPTION			DIMENSIONS		
	W ---	Hold VA ~	Inrush VA ~	D mm	E mm	F mm
B	8	14,5	25	30	42	54