



# Solenoid piston valve 2/2 way N.C. pilot control

21PW3K0T120

÷

21PW4K0T120

## PRESENTATION:

S.V. with pilot control for interception of fluids compatible with the construction materials.

A minimum operational pressure of 0,5 bar is required.

The materials used and the tests carried out ensure maximum reliability and duration.

These solenoid valves are not suitable for stagnating fluids, or for fluids that being subject to evaporation may deposit solid, calcareous or similar residues.

**USE:** Automation, Compressors  
Heating

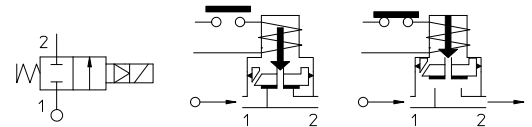
**PIPES:** G 3/8 - G 1/2

**COILS:** 8W - Ø 13 (1)  
BDA - BSA 155°C (class F)  
BDV 180°C (class H)  
12W - Ø 13  
UDA 155°C (class F)  
14W - Ø 13  
GDH - GDV 180°C (class H)  
(1) Explosion-proof housing for coils with electrical connections EN 175301-803 on request.



**COIL HOUSING AND COIL FORMER MATERIAL ARE MADE BY 100% VIRGIN MATERIAL.**

Max. allowable pressure (PS) 25 bar  
Working temperatures - 10°C + 140°C



| Gaskets                        | Temperature |         | Medium                |
|--------------------------------|-------------|---------|-----------------------|
| T=PTFE (polytetrafluorethylen) | - 10°C      | + 180°C | Air, inert gas, water |

| Pipe ISO 228/1 | Code        | Max viscosity |     | Ø mm | Kv l/mn | Power watt | Pressure |          |    |
|----------------|-------------|---------------|-----|------|---------|------------|----------|----------|----|
|                |             | cSt           | °E  |      |         |            | min bar  | M.O.P.D. |    |
|                |             |               |     |      |         |            | AC bar   | DC bar   |    |
| G 3/8          | 21PW3K0T120 | 12            | ~ 2 | 12   | 32      | 8          | 0,5      | 18       | -  |
|                |             |               |     |      |         | 12         |          | 20       | 15 |
|                |             |               |     |      |         | 14         |          |          |    |
| G 1/2          | 21PW4K0T120 | 12            | ~ 2 | 12   | 38      | 8          | 18       | -        |    |
|                |             |               |     |      |         | 12         | 20       | 15       |    |
|                |             |               |     |      |         | 14         |          |          |    |

The "ODE" reserves the right to carry out technical and aesthetic modifications without prior notification.

### MATERIALS:

**Body** Brass - UNI EN 12165 CW617N  
**Welded armature tube** Brass - UNI EN 12165 CW617N +  
 Stainless steel AISI series 300  
**Fixed core** Stainless steel AISI series 400  
**Plunger** Stainless steel AISI series 400  
**Phase displacement ring** Copper - Cu 99,9%  
**Spring** Stainless steel AISI series 300  
**Piston** Stainless steel AISI series 300 +  
 Tecnopolimero  
**Piston seal** V=FKM  
**Seal** T=PTFE  
**Orifice** Brass - UNI EN 12165 CW617N

**On request:**  
**Connector** Pg 9 or Pg 11  
**Connector conformity** ISO 4400

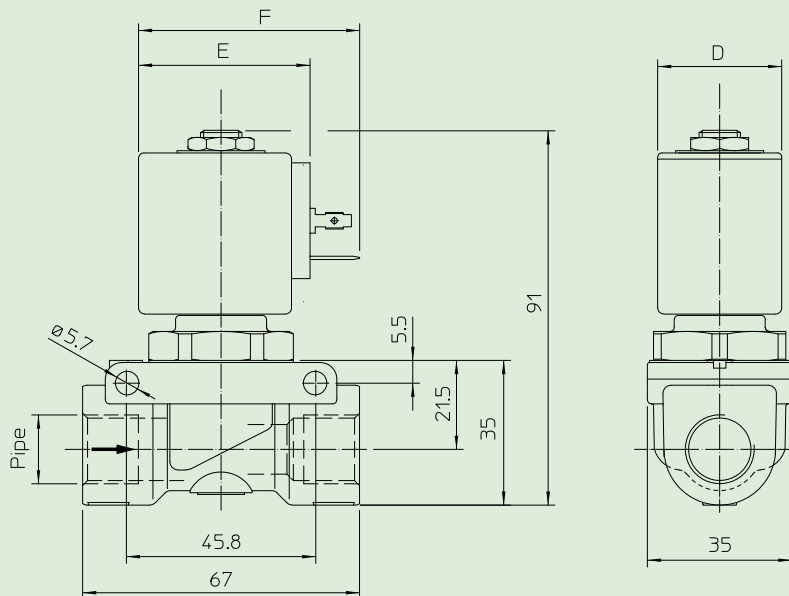
### FEATURES:

**Electrical conformity** IEC 335  
**Protection degree** IP 65 EN 60529 (DIN 40050)  
 with coil fitted by connector.

### SPARE PARTS:

- 1. Coil:**  
See coils list
- 2. Complete plunger:**  
Code R450820/V
- 3. Complete armature tube:**  
Code R452153
- 4. Gasket O-Ring:**  
Code R990478/V
- 5. Spring:**  
Code R450783
- 6. Complete piston:**  
Code R452230

### DIMENSIONS:



| Type        | Type ISO 228/1 |
|-------------|----------------|
| 21PW3K0T120 | G 3/8          |
| 21PW4K0T120 | G 1/2          |

| COIL TYPE | POWER ABSORPTION |              |                | DIMENSIONS |         |         |
|-----------|------------------|--------------|----------------|------------|---------|---------|
|           | W<br>=           | Hold<br>VA ~ | Inrush<br>VA ~ | D<br>mm    | E<br>mm | F<br>mm |
| B         | 8                | 14,5         | 25             | 30         | 42      | 54      |
| U         | 12               | 23           | 35             | 36         | 48      | 60      |
| G         | 14               | 27           | 43             | 52         | 55      | 67      |