



Solenoid piston valve 2/2 way N.O. pilot control dampness-proof IP 67

21YW4Z0T130

÷

21YW6Z0T250

PRESENTATION:

S.V. with pilot control for interception of fluids compatible with the construction materials.

A minimum operational pressure of 0,9 bar is required.

The materials used and the tests carried out ensure maximum reliability and duration.

USE: Hot water, Steam

PIPES: G 1/2 - G 1

COIL: 8W - Ø 13
BDV 180°C (class H)

COIL HOUSING AND COIL FORMER MATERIAL ARE MADE BY 100% VIRGIN MATERIAL.

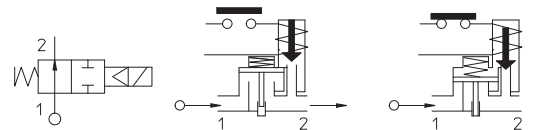
Max. allowable pressure (PS) 25 bar

Ambient temperature:

See coils catalogue page for its compatibility.



Gaskets	Temperature		Medium
	- 40°C	+180°C	
T=PTFE (polytetrafluorethylen)			Steam, hot water

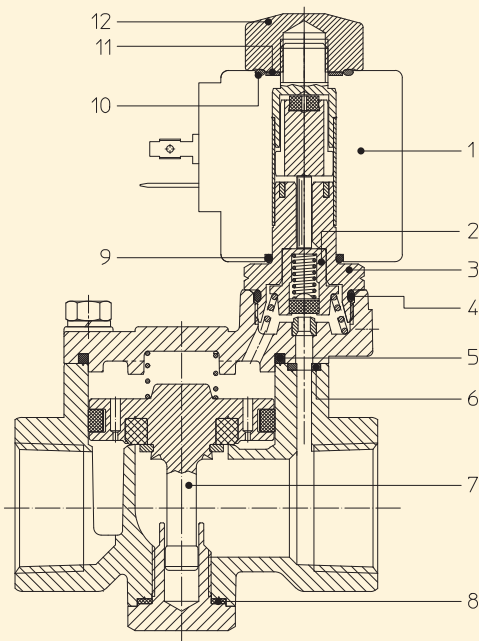


Pipe ISO 228/1	Code	Max viscosity		Ø mm	Kv l/mn	Power watt	Pressure		
		cSt	°E				min bar	M.O.P.D.	
								AC bar	DC bar
G 1/2	21YW4Z0T130	-	-	13	50	8	0,9	10	10
G 3/4	21YW5Z0T190			19	90				
G 1	21YW6Z0T250			25	160				

Note

For dampness-proof cup see catalogue page R453882/B+R453882/U | Available on request and with minimum quantities.

The "ODE" reserves the right to carry out technical and aesthetic modifications without prior notification.



MATERIALS:

Body	Brass - UNI EN 12165 CW617N
Armature tube	Stainless steel AISI series 300
Fixed core	Stainless steel AISI series 400
Plunger	Stainless steel AISI series 400
Phase displacement ring	Copper - Cu 99,9%
Spring	Stainless steel AISI series 300
Piston seal	Modified PTFE
Main seal	Glassfiber reinforced T=PTFE
Pilot seal	PTFE
Orifice	Brass - UNI EN 12165 CW617N

On request:

Connector	Pg 9 o Pg 11
Connector conformity	ISO 4400

FEATURES:

Electrical conformity	IEC 335
Protection degree	IP 67 EN 60529 (DIN 40050) with coil fitted by connector dedicated

SPARE PARTS:

1. Coil: See coils list	G 3/4+G 1 Code R450858
2. Diaphragm support: Code R450790	7. Complete piston: G 1/2 Code R452604 G 3/4 Code R452547 G 1 Code R452548
3. Complete armature tube without gasket: Code R450573	8. Gasket plug: G 1/2 Code R452609 G 3/4+G 1 Code R452553
4. Gasket O-Ring: Code 990000/T	
5. Sealing ring: G 1/2 Code R452607 G 3/4 Code R452551 G 1 Code R452552	
6. Gasket cover: G 1/2 Code R452608	

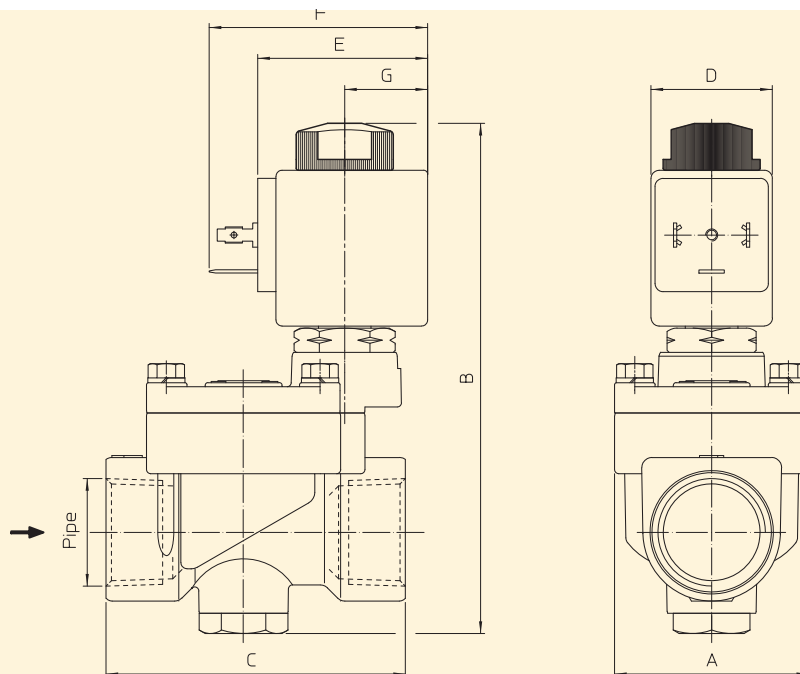
KIT:

KT130ZT30-TGB=2+3+4+9+10+11+12

MAINTENANCE KIT:

G 1/2	KTPYW4Z0T13=2+5+6+7+8
G 3/4	KTPYW5Z0T19=2+5+6+7+8
G 1	KTPYW6Z0T25=2+5+6+7+8

DIMENSIONS:



Type	Pipe ISO 228/1	A mm	B mm	C mm
21YW4Z0T130	G 1/2	40	107	65
21YW5Z0T190	G 3/4	48	120	74
21YW6Z0T250	G 1	62	130	93

COIL TYPE	POWER ABSORPTION	DIMENSIONS			
	W ==	D mm	E mm	F mm	G mm
B	8	30	42	54	20,5