



# Solenoid valve 2/2 way N.C. With pilot control Explosion proof - Atex Ex d

21W3KIB190  
÷  
21W7KIB500

## PRESENTATION:

S.V. with pilot control for interception of fluids compatible with the construction materials. Aluminium coil housing, explosion proof "Ex d". Electrical and electromechanical components according to Atex Directive 94/9/CE

A minimum operational pressure of 0,2 bar is required. The materials used and the tests carried out ensure maximum reliability and duration.

**USE:** Potentially explosive atmospheres  
Zone 1, 2, 21, 22

**PIPES:** G 3/4 - G 2

**COIL:** 8W - Ø 13  
BDA 155°C (class F)

Max. allowable pressure (PS)

G 3/4 - G 1 25 bar

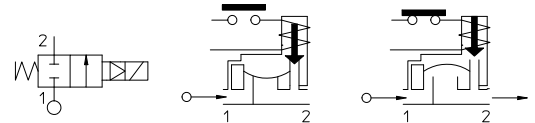
G 1 1/4 - G 2 16 bar

Housing ambient temperature - 40°C + 60°C



Gaskets	Temperature		Medium
	-	+	
<b>B</b> =NBR (nitrile rubber)	- 10°C	+ 80°C	Air, inert gas, water
<b>E</b> =EPDM (ethylene-propylene)	- 10°C	+ 80°C	Water, low pressure steam
<b>V</b> =FKM (fluoroelastomer)	- 10°C	+ 80°C	Mineral oils (2°E), gasoline gas oil
<b>F</b> =H-NBR (hydrogenated nitrile)	- 30°C	+ 80°C	Air, inert gas, water R 134a, R 404a

For seals other than NBR replace the letter "B" with the ones corresponding to the other seals. E.I. 21W3KIV190.



Pipe ISO 228/1	Code	Max viscosity		Ø mm	Kv l/mn	Power watt	Pressure		
		cSt	°E				min bar	M.O.P.D.	
								AC bar	DC bar
G 3/4	21W3KIB190	12	~ 2	19	140	8	0,2	16	16
G 1	21W4KIB250			25	190				
G 1 1/4	21W5KIB350			35	400				
G 1 1/2	21W6KIB400			40	520			10	10
G 2	21W7KIB500			50	750				



(According to Directive 94/9/CE ATEX )  
II 2G Ex d IIC T6 o T5 Gb  
II 2D Ex tb IIIC T80°C o T95°C Db IP67



**CE Approval**  
(Pressure Equipment Directive 97/23/CE  
for EV 21W5÷21W7

## Note

Available on request and with minimum quantities.

The "ODE" reserves the right to carry out technical and aesthetic modifications without prior notification.

### MATERIALS:

<b>Body</b>	Brass - UNI EN 12165 CW617N
<b>Armature tube</b>	Stainless steel AISI series 300
<b>Fixed core</b>	Stainless steel AISI series 400
<b>Plunger</b>	Stainless steel AISI series 400
<b>Phase displacement ring</b>	Copper - Cu 99,9%
<b>Spring</b>	Stainless steel AISI series 300
<b>Seal</b>	Standard: B=NBR On request: V=FKM; E=EPDM; F=H-NBR
<b>Orifice Housing</b>	Brass - UNI EN 12165 CW617N Aluminium die cast

**Connector conformity** ISO 4400

### FEATURES:

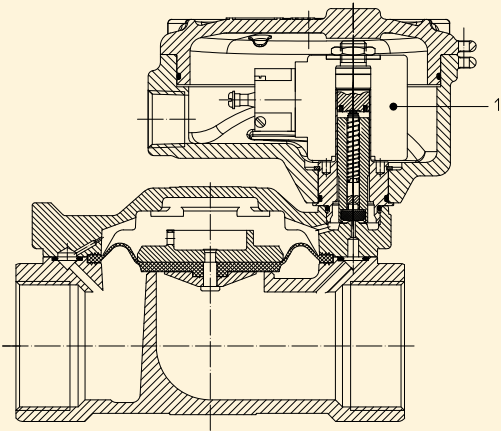
<b>Electrical conformity</b>	IEC 335
<b>Protection degree</b>	IP 65 EN 60529 (DIN 40050) with housing fitted by cable gland Atex Ex d.

### SPARE PARTS:

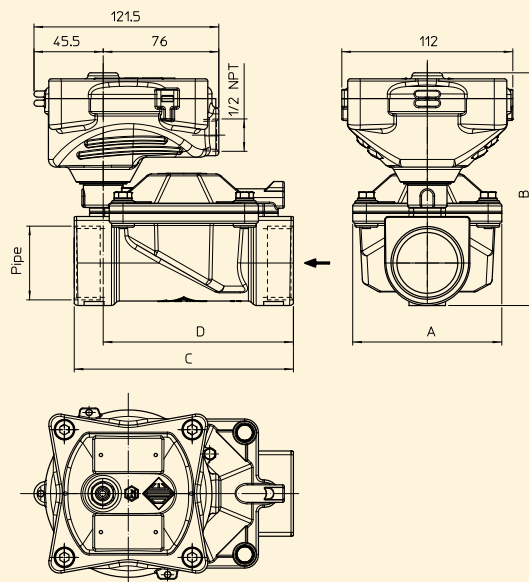
- 1. Coil:**  
 BDA08012CS  
 BDA08024CS  
 BDA08024DS  
 BDA08048AS  
 BDA08048CS  
 BDA08110CS  
 BDA08110DS  
 BDA08223DS

### ACCESSORIES:

Code P992219 Cable Gland  
(to be ordered separately)



### DIMENSIONS:



Type	Pipe ISO 228/1	A mm	B mm	C mm	D mm
21W3KIB190	G 3/4	65	128	104	89
21W4KIB250	G 1		136		
21W5KIB350	G 1 1/4	98	153	144	125
21W6KIB400	G 1 1/2				
21W7KIB500	G 2	118	144	172	150

COIL TYPE	POWER ABSORPTION		
	W ---	Hold VA ~	Inrush VA ~
B	8	14,5	25