



# Solenoid valve 2/2 way N.C. Combined operation

21HN2K0Y110-HT

÷

21HN6K0Y250-HT

## PRESENTATION:

Combined operation S.V. for interception of fluids compatibles with the construction materials.

Minimum operational pressure is not required.

The materials used and the tests carried out ensure maximum reliability and duration.

**USE:** Automation, Vacuum packaging  
Heating

**PIPES:** 1/4 NPT - 1 NPT

**COILS:**

8W - Ø 13	
BDA - BSA	155°C (class F)
BDV	180°C (class H)
12W - Ø 13	
UDA	155°C (class F)
14W - Ø 13	
GDH - GDV	180°C (class H)

**COIL HOUSING AND COIL FORMER MATERIAL ARE  
MADE BY 100% VIRGIN MATERIAL.**

Max. allowable pressure (PS) 16 bar

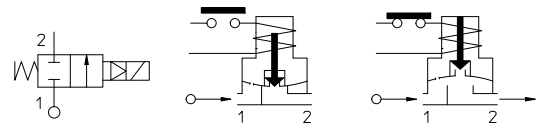
Ambient temperature:

See coils catalogue page for its compatibility.



Gaskets	Temperature		Medium
Y=NBR+PA (nitrile rubber+polyamide)	- 10°C	+ 90°C	Air, gasolin, fuel oils, inert gas, water
V=FKM+ PA (fluorelastomer+poliamiyde)	- 10°C	+140°C	Mineral oils (2°E), gasoline gas oil

For seals other than FKM replace the letter "V" with the ones corresponding to the other seals. E.I. 21HN2K0V110-HT.



Pipe ANSI/ASME BI.20.1	Code	Max viscosity		Ø mm	Kv l/mn	Power watt	Pressure		
		cSt	°E				min bar	M.O.P.D.	
								AC bar	DC bar
1/4 NPT	21HN2K0Y110-HT	12	~ 2	11	20	8	0	14	5
						12			14
						14			14
3/8 NPT	21HN3K0Y110-HT	12	~ 2	16	40	8	0	14	5
						12			14
						14			14
1/2 NPT	21HN4K0Y160-HT	12	~ 2	16	40	8	0	14	2,5
						12			14
						14			14
3/4 NPT	21HN5K0Y160-HT	12	~ 2	16	40	8	0	14	1,5
						12			14
						14			14
1 NPT	21HN6K0Y250-HT	12	~ 2	25	120	8	0	8	-
						12		14	1,5
						14		14	6

The "ODE" reserves the right to carry out technical and aesthetic modifications without prior notification.

**MATERIALS:**

- Body** Brass - UNI EN 12165 CW617N
- Armature tube** Stainless steel AISI series 300
- Fixed core** Stainless steel AISI series 400
- Plunger** Stainless steel AISI series 400
- Phase displacement ring** Copper - Cu 99,9%
- Spring** Stainless steel AISI series 300
- Seal** Standard: Y=NBR+PA  
On request : V=FKM+PA
- Orifice** Brass - UNI EN 12165 CW617N
- On request:** Pg 9 or Pg 11
- Connector** ISO 4400
- Connector conformity** ISO 4400

**FEATURES:**

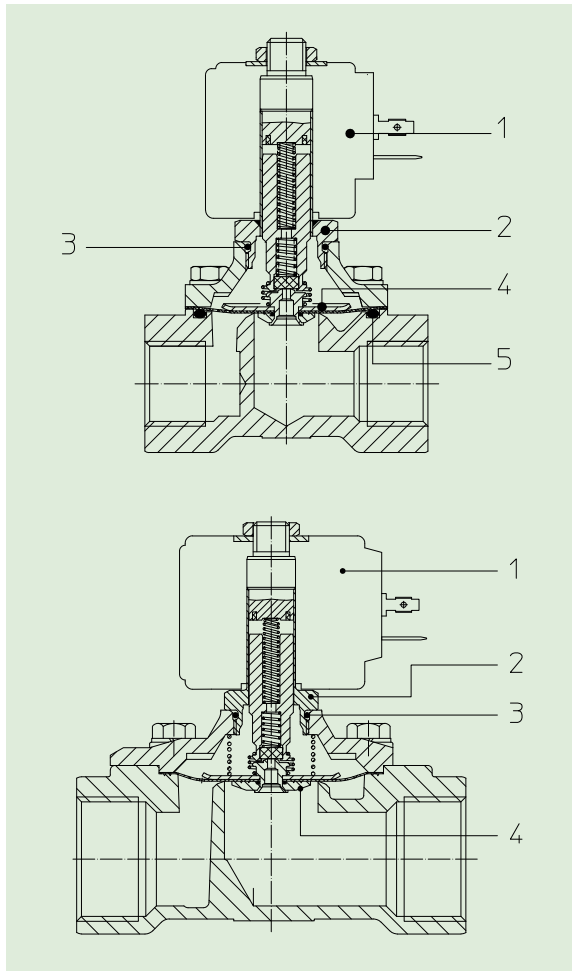
- Electrical conformity** IEC 335
- Protection degree** IP 65 EN 60529 (DIN 40050)  
with coil fitted by connector.

**SPARE PARTS:**

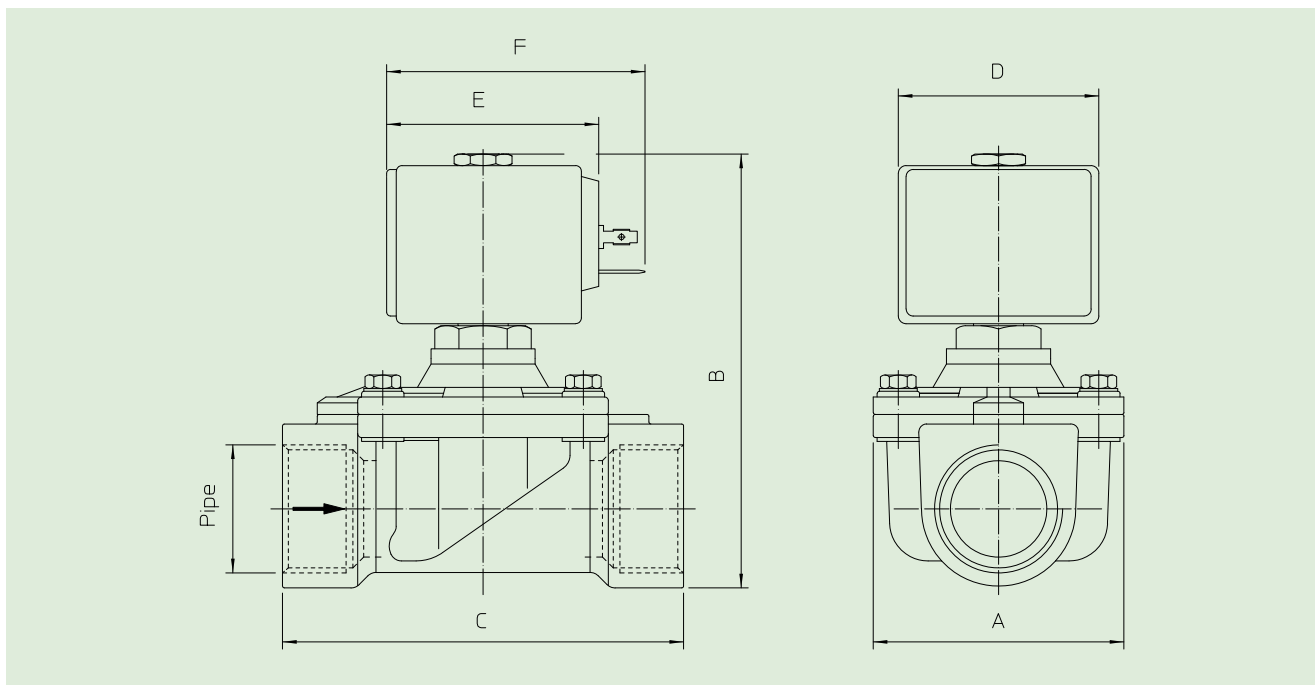
- 1. Coil:** See coils list
- 2. Complete armature tube without gasket:** 1/4+3/4 NPT Code R450691  
1 NPT Code R450603
- 3. Gasket O-Ring:** Code R990000/B
- 4. Complete diaphragm with plunger:** 1/4+3/8 NPT Code R452126/B  
1/2+3/4 NPT Code R452125/B  
1 NPT Code R452555/B
- 5. Gasekt O-Ring:** 1/4+3/4 NPT Code R990105/B

**MAINTENANCE KIT:**

- 1/4+ 3/8 NPT  
KTGHT3K0Y11=4+5
- 1/2+ 3/4 NPT  
KTGHT4K0Y16=4+5
- 1 NPT  
KTGHT6K0Y25=4



**DIMENSIONS:**



Type	Pipe	A mm	B mm	C mm
21HN2K0Y110-HT	1/4 NPT	50	89	56
21HN3K0Y110-HT	3/8 NPT			
21HN4K0Y160-HT	1/2 NPT		100	70
21HN5K0Y160-HT	3/4 NPT			
21HN6K0Y250-HT	1 NPT	65	112	104

COIL TYPE	POWER ABSORPTION			DIMENSIONS		
	W ==	Hold VA ~	Inrush VA ~	D mm	E mm	F mm
B	8	14,5	25	30	42	54
U	12	23	35	36	48	60
G	14	27	43	52	55	67