



# Pinch solenoid valve 2/2 way N.O. Direct acting - Bidirectional

21Z16M2S05  
÷  
21Z16M2S25

## PRESENTATION:

Direct acting S.V., producing no turbulences, for interception of fluids compatible with the construction materials. Minimum operational pressure is not required. This S.V. allow bidirectional flow and avoid any dead space. The materials used and the tests carried out ensure maximum reliability and duration.

**USE:** Automation, analysis and medical.

**COILS:** 4W 24V DC ED 100% - Ø 7

**COIL HOUSING AND COIL FORMER MATERIAL ARE MADE BY 100% VIRGIN MATERIAL.**



Environment temperature	
- 10°C	+ 40°C

Tubings			Code	Pinching force (g)	Power absorption watt	Weight (g)
Ø int. (mm)	Ø ext. (mm)	wall thickness (mm)				
0,76	1,65	0,4	21Z16M2S05	250	4	50
1,57	3,18	0,8	21Z16M2S20	900		
1,98	3,18	0,6	21Z16M2S25	400		

## Note

This S.V. is suitable for soft silicon tubings with hardness  $55 \pm 3$  shore A..

Tubing are not included in our supply.

When used with less that 2,2mm external diameter pipes, a pipeholder should be mounted.

Available on request and with minimum quantities.

The "ODE" reserves the right to carry out technical and aesthetic modifications without prior notification.

### MATERIALS:

<b>Body</b>	Anodized Aluminium
<b>Armature tube</b>	Brass - UNI EN 12164 CW614N + nickel plated
<b>Fixed core</b>	Stainless steel AISI series 400
<b>Plunger</b>	Stainless steel AISI series 400
<b>Spring</b>	Stainless steel AISI series 300
<b>Pinching device</b>	POM C=Acetalic resin

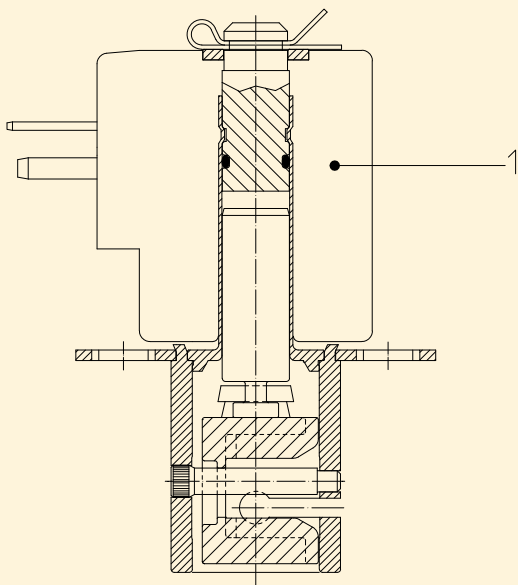
<b>On request:</b>	
<b>Connector</b>	Pg 9
<b>Connector conformity</b>	ISO 4400

### FEATURES:

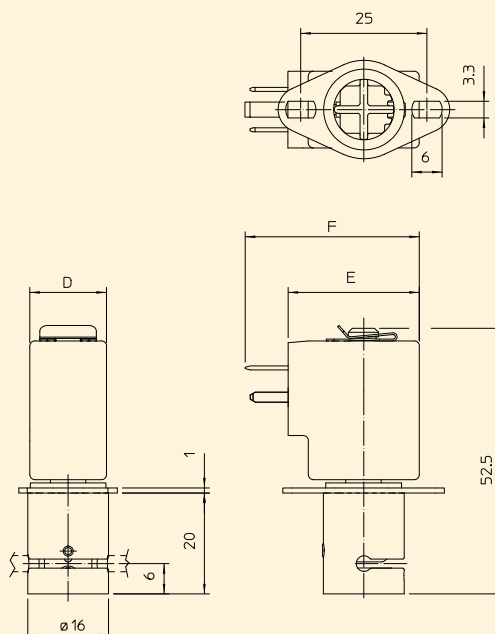
<b>Electrical conformity</b>	IEC 335
<b>Protection</b>	IP 65 EN 60529 (DIN 40050) with coil fitted by connector.

### SPARE PARTS:

1. Coil:  
RMAA04024CS



### DIMENSIONS:



COIL TYPE	POWER ABSORPTION	DIMENSIONS		
	W ==	D mm	E mm	F mm
M	4	16	26	34,5