



Solenoid valve 2/2 way N.C. Combined operation

21IH3K1V150
÷
21IH8K1V400-S

PRESENTATION:

Combined operation S.V. for interception of fluids compatible with the construction materials.
Minimum operational pressure is not required.
The materials used and the tests carried out ensure maximum reliability and duration.

USE: Automation - Heating - Chemistry

PIPES: G 3/8 - G 1 1/2

COILS:

8W - Ø 13	155°C (class F)
BDA - BSA	180°C (class H)
BDV	180°C (class H)
12W - Ø 13	
UDA	155°C (class F)
14W - Ø 13	
GDA - GDS	155°C (class F)
GDH - GDV	180°C (class H)

COIL HOUSING AND COIL FORMER MATERIAL ARE MADE BY 100% VIRGIN MATERIAL.

Max. allowable pressure (PS) 16 bar

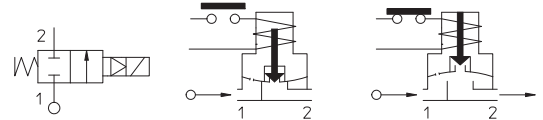
Ambient temperature:

See coils catalogue page for its compatibility.



Gaskets	Temperature		Medium
V =FKM + PA (fluoroelastomer+polyamide)	- 10°C	+140°C	Mineral oils (2°E), gasoline gas oil
B = NBR + PA (nitrile rubber+polyamide)	- 10°C	+ 90°C	Air, inert gas, water

For seals other than FKM replace the letter "V" with the ones corresponding to the other seals. E.I. 21IH3K1**B**150.



Pipe ISO 228/1	Code	Max viscosity		Ø mm	Kv l/mn	Power watt	Pressure						
		cSt	°E				min bar	M.O.P.D. AC bar DC bar					
G 3/8	21IH3K1V150	12	~ 2	15	40	8	0	14	6				
						12		-	14				
G 1/2	21IH4K1V160					16		50	8	14	6		
									12	-	14		
G 3/4	21IH5K1V200					20		60	8	14	6		
									12	-	14		
G 1	21IH6K1V250			25	140	8		14	3				
						12		-	8				
G 1 1/4	21IH7K1V350 21IH7K1V350-S			35	300 250	14		14	-				
								-	7				
								G 1 1/2	21IH8K1V400 21IH8K1V400-S	40	320 250	14	-
												-	7



CE Approval

(Pressure Equipment Directive 97/23/CE)

for S.V. 21IH7+21IH8..-S

The "ODE" reserves the right to carry out technical and aesthetic modifications without prior notice.

MATERIALS:

Body Stainless steel AISI 316
Armature tube Stainless steel AISI 316
Fixed core Stainless steel AISI series 400
Plunger Stainless steel AISI series 400
Phase displacement ring Gold plated copper
Spring Stainless steel AISI series 300
Seal Standard: V=FKM+PA
 On request: B=NBR+PA
Orificie Stainless steel AISI 316

On request:
Connector Pg 9 o Pg 11
Connector conformity ISO 4400

FEATURES:

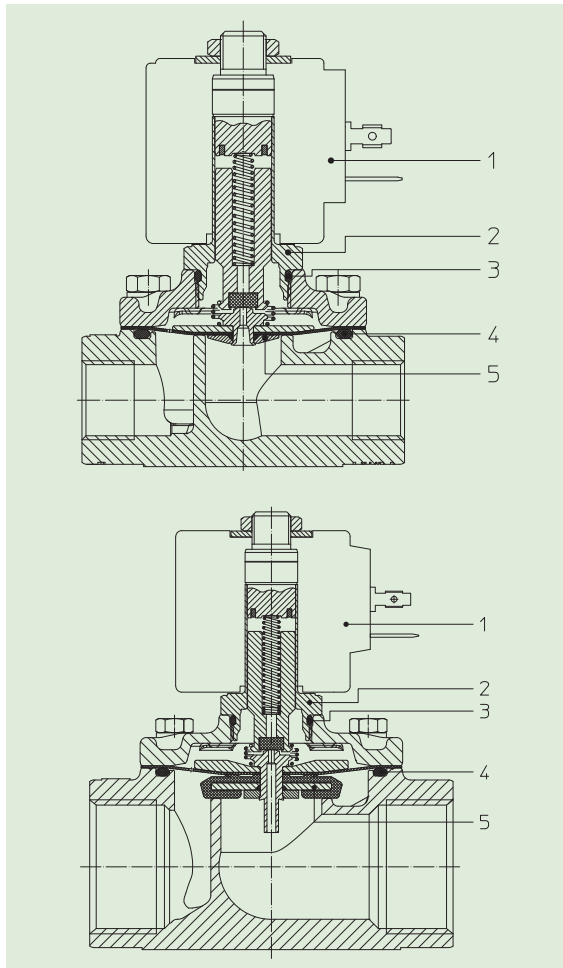
Electrical conformity IEC 335
Protection degree IP 65 EN 60529 (DIN 40050)
 with coil fitted by connector.

SPARE PARTS:

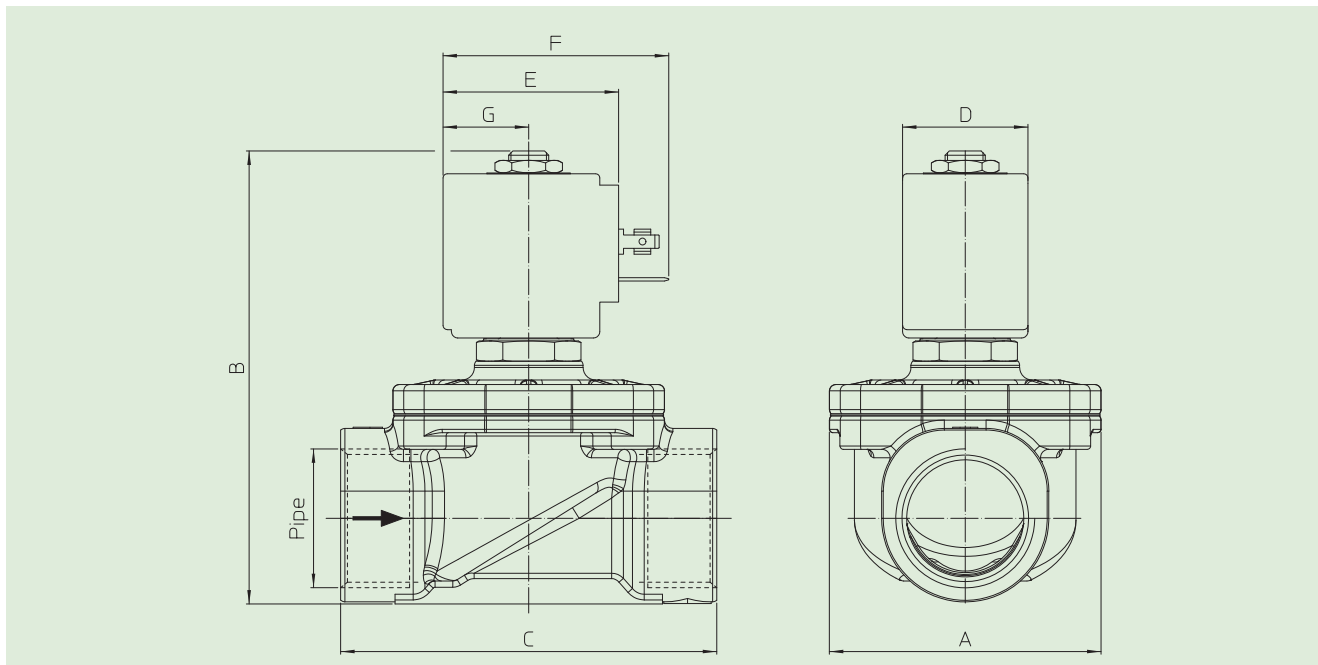
- 1. **Coil:** G 3/4 Code R452899/V
 See coils list G 1 Code R452846/V
- 2. **Complete plunger:** G 1 1/4÷ G 1 1/2 Code R452904/V
 Code R450811
- 3. **Gasket O-Ring:** Code R990000/V
- 4. **Gasket O-Ring:** Code R990105/V G 3/8÷G1/2
 Code R992103/V G 3/4
 Code R992109/V G 1
 Code R992101/V G 1 1/4 ÷ G 1 1/2
- 5. **Complete diaphragm with plunger:** Code R452894/V

MAINTENANCE KIT:

- G 3/8 ÷ G 1/2
- KTGIH3K1V15=4+5
- G 3/4
- KTGIH5K1V20=4+5
- G1
- KTGIH6K1V25=4+5
- G 1 1/4 ÷ G 1 1/2
- KTGIH7K1V35=4+5



DIMENSIONS:



Type	Pipe ISO 228/1	A mm	B mm	C mm
21H3K1V150	G 3/8	52	92	68
21H4K1V160	G 1/2			
21H5K1V200	G 3/4	58	100	75
21H6K1V250	G 1	65	109	90
21H7K1V350	G 1 1/4	94	126	128
21H7K1V350-S				
21H8K1V400	G 1 1/2			
21H8K1V400-S				

COIL TYPE	POWER ABSORPTION			DIMENSIONS			
	W	Hold VA ~	Inrush VA ~	D mm	E mm	F mm	G mm
B	8	14,5	25	30	42	54	20,5
U	12	23	35	36	48	60	23,5
G	14	27	43	52	55	67	25