



Solenoid valve 2/2 way N.C. Combined operation

21HT3K0V110-OX
÷
21HT6K0V250-SOX

PRESENTATION:

Combined operation S.V. for interception of fluids compatibles with the construction materials.
Minimum operational pressure is not required.
The materials used and the tests carried out ensure maximum reliability and duration.
Components, in contact with fluid, oils and greases free and compatible with oxygen for Industrial use.

USE: Automation
Chemical

PIPES: G 3/8 - G 1

COILS:
8W - Ø 13
BDA - BSA 155°C (class F)
BDV 180°C (class H)
12W - Ø 13
UDA 155°C (class F)
14W - Ø 13
GDH - GDV 180°C (class H)

**COIL HOUSING AND COIL FORMER MATERIAL ARE
MADE BY 100% VIRGIN MATERIAL.**

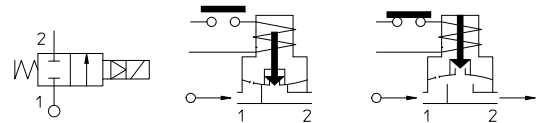
Max. allowable pressure (PS) 16 bar

Ambient temperature:

See coils catalogue page for its compatibility.



Gaskets	Temperature		Medium
V=FKM (fluoroelastomer)	- 10°C	+ 60°C	Oxygen

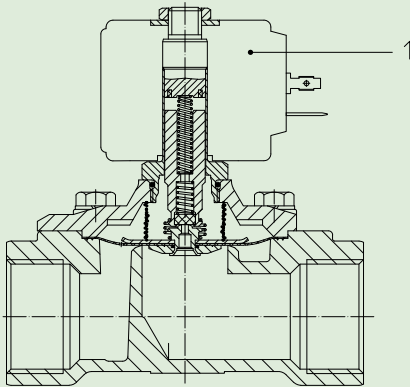
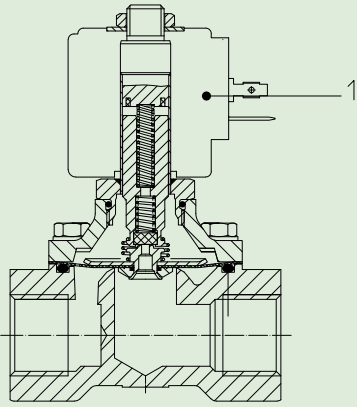


Pipe ISO 228/1	Code	Ø mm	Kv l/mn	Power watt	Pressure		
					min bar	M.O.P.D.	
						AC bar	DC bar
G 3/8	21HT3K0V110-OX	11	20	8	14	5	
	* 21HT3K0V110-SOX			12		14	
G 1/2	21HT4K0V160-OX	16	40	14	14	2,5	
	* 21HT4K0V160-SOX			8		11	
G 3/4	21HT5K0V160-OX	16	40	14	14	14	
	* 21HT5K0V160-SOX			8		10	
G 1	21HT6K0V250-OX	25	120	8	14	1,5	
	* 21HT6K0V250-SOX			12		6	
G 1	21HT6K0V250-OX	25	90	8	-	1	
	* 21HT6K0V250-SOX			12		6	
G 1	21HT6K0V250-OX	25	90	14	-	12	
	* 21HT6K0V250-SOX			8		12	

.Note

* For DC only | Don't use as a safety Valve.

The "ODE" reserves the right to carry out technical and aesthetic modifications without prior notification.



MATERIALS:

- Body** Brass - UNI EN 12165 CW617N
- Armature tube** Stainless steel AISI series 300
- Fixed core** Stainless steel AISI series 400
- Plunger** Stainless steel AISI series 400
- Phase displacement ring** Copper - Cu 99,9%
- Spring** Stainless steel AISI series 300
- Seal** V=FKM (compatible with O₂)
- Orifice** Brass - UNI EN 12165 CW617N

On request:

- Connector** Pg 9 or Pg 11
- Connector conformity** ISO 4400

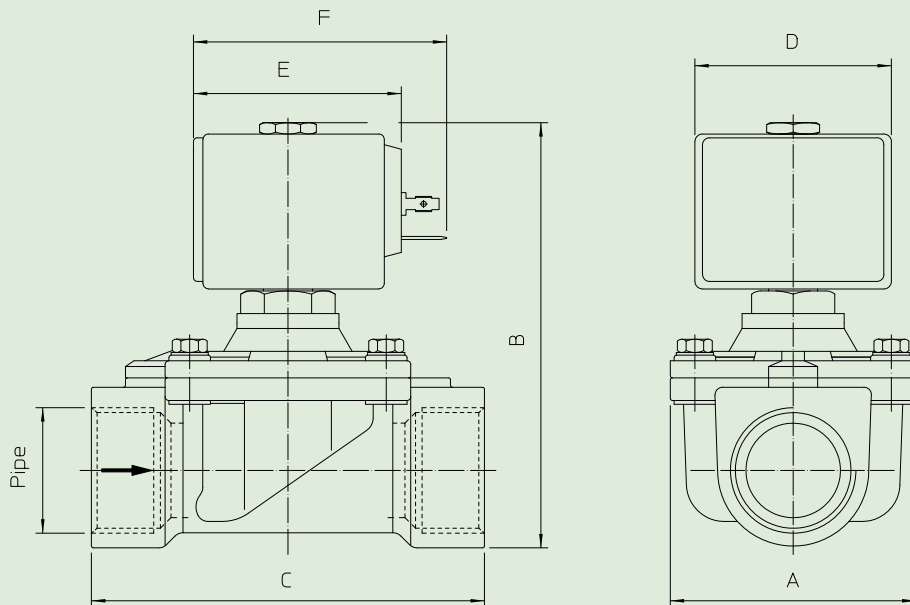
FEATURES:

- Electrical conformity** IEC 335
- Protection degree** IP 65 EN 60529 (DIN 40050) with coil fitted by connector.

SPARE PARTS:

- 1. Coil:** See coils list

DIMENSIONS:



Type	Pipe ISO 228/1	A mm	B mm	C mm
21HT3K0V110-OX	G 3/8	50	89	56
21HT3K0V110-SOX				
21HT4K0V160-OX	G 1/2	50	102	70
21HT4K0V160-SOX				
21HT5K0V160-OX	G 3/4	50	102	70
21HT5K0V160-SOX				
21HT6K0V250-OX	G 1	65	112	104
21HT6K0V250-SOX				

COIL TYPE	POWER ABSORPTION			DIMENSIONS		
	W ≡	Hold VA ~	Inrush VA ~	D mm	E mm	F mm
B	8	14,5	25	30	42	54
U	12	23	35	36	48	60
G	14	27	43	52	55	67