



Solenoid piston valve 2/2 way N.C. pilot control dampness-proof IP 67

21YW4K0T130

÷

21YW6K0T250

PRESENTATION:

S.V. with pilot control for interception of fluids compatible with the construction materials.

A minimum operational pressure of 0,9 bar is required.

The materials used and the tests carried out ensure maximum reliability and duration.

USE: Hot water, Steam

PIPES: G 1/2 - G 1

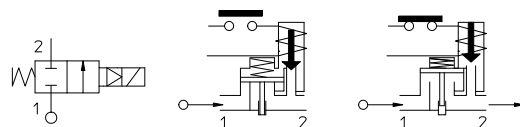
COILS: 8W - Ø 13
BDV 180°C (class H)

COIL HOUSING AND COIL FORMER MATERIAL ARE MADE BY 100% VIRGIN MATERIAL.

Max. allowable pressure (PS) 25 bar
Ambient temperature: - 40°C + 80°C



Gaskets	Temperature		Medium
T=PTFE (polytetrafluorethylen)	- 40°C	+180°C	Steam, hot water



Pipe ISO 228/1	Code	Max viscosity		Ø mm	Kv l/mn	Power watt	Pressure		
		cSt	°E				min bar	M.O.P.D. AC bar DC bar	
G 1/2	21YW4K0T130	-	-	13	50	8	0,9	10	10
G 3/4	21YW5K0T190			19	90				
G 1	21YW6K0T250			25	160				

Nota

For dampness-proof cup see catalogue page R453882/B+R453882/U

The "ODE" reserves the right to carry out technical and aesthetic modifications without prior notification.

MATERIALS:

Body Brass - UNI EN 12165 CW617N
Armature tube Stainless steel AISI series 300
Fixed core Stainless steel AISI series 400
Plunger Stainless steel AISI series 400
Phase displacement ring Copper - Cu 99,9%
Spring Stainless steel AISI series 300
Piston seal Modified PTFE
Main seal Glassfiber reinforced T=PTFE
Pilot seal PTFE
Orifice Brass - UNI EN 12165 CW617N

On request:

Connector Pg 9 o Pg 11
Connector conformity ISO 4400

FEATURES:

Electrical conformity IEC 335
Protection degree IP 67 EN 60529 (DIN 40050)
 with coil fitted by connector dedicated.

SPARE PARTS:

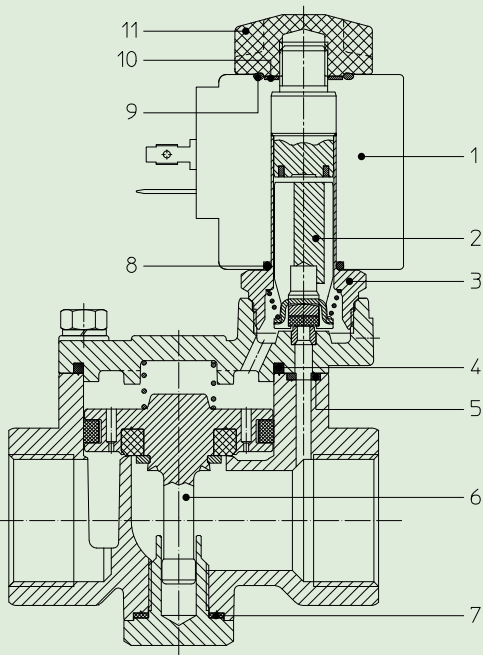
- 1. Coil:**
See coils list
- 2. Complete plunger:**
Code R450897
- 3. Complete armature tube:**
Code R450606
- 4. Sealing ring:**
G 1/2 Code R452607
G 3/4 Code R452551
G 1 Code R452552
- 5. Gasket cover:**
G 1/2 Code R452608
G 3/4+G 1 Code R450858
- 6. Complete piston:**
G 1/2 Code R452604
G 3/4 Code R452547
G 1 Code R452548
- 7. Gasket plug:**
G 1/2 Code R452609
G 3/4+G 1 Code R452553

KIT:

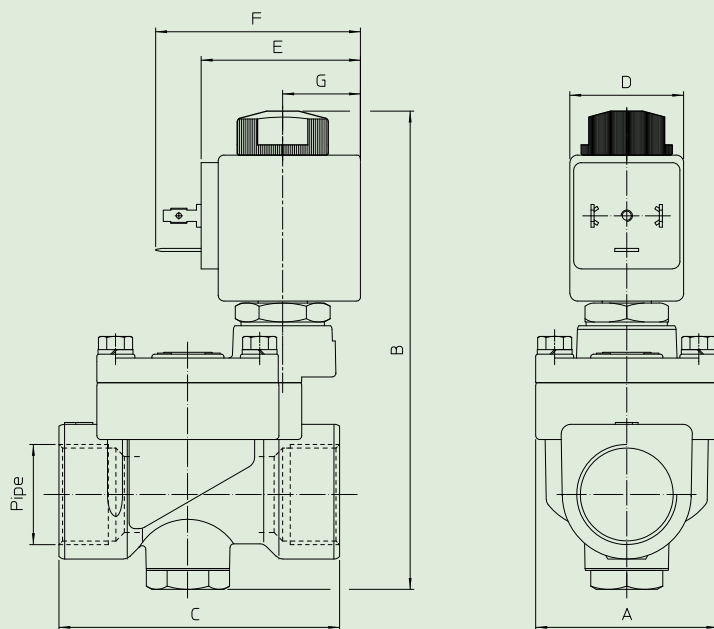
KT130KT30-APGB=2+3+8+9+10+11

MAINTENANCE KIT:

- G 1/2 KTPYW4K0T13=2+4+5+6+7
- G 3/4 KTPYW5K0T19=2+4+5+6+7
- G 1 KTPYW6K0T25=2+4+5+6+7



DIMENSIONS:



Type	Pipe ISO 228/1	A mm	B mm	C mm
21YW4K0T130	G 1/2	40	114	65
21YW5K0T190	G 3/4	48	127	74
21YW6K0T250	G 1	62	137	93

COIL TYPE	POWER ABSORPTION	DIMENSIONS			
	W	D mm	E mm	F mm	G mm
B	8	30	42	54	20,5