



**Total separation solenoid valve  
2/2 way N.C. with flow regulation  
Direct acting - NSF Certified**

**21K72KRS90-000  
÷  
26K72KRS90-000**

**PRESENTATION:**

Bank S.V. for automatic drink dispensers.  
Minimum operational pressure is not required.  
The materials used and the tests carried out ensure maximum reliability and duration.

**USE:** Automatic drink dispensers

**PIPES:** Please turn over (A-B-D-I-L-R)

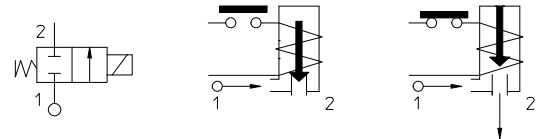
**COIL:** 8W - Ø 13  
BDA - BSA 155°C (class F)

**COIL HOUSING AND COIL FORMER MATERIAL ARE  
MADE BY 100% VIRGIN MATERIAL.**

Ambient temperature:  
See coils catalogue page for its compatibility.



Gaskets	Temperature		Medium
S=VMQ (silicone)	+ 2°C	+100°C	Water



Pipe	Code	Max viscosity		Ø mm	Kv l/mn	Power watt	Pressure		
		cSt	°E				min bar	M.O.P.D. AC bar DC bar	
See connection types overleaf (A-B-D-I-L-R)	21K72KRS90-000	-	-	9	*	8	0	0,3	0,3
	22K72KRS90-000								
	23K72KRS90-000								
	24K72KRS90-000								
	25K72KRS90-000								
26K72KRS90-000									

\* FLOW RATE WITH HEAD OF 80 mm = 2,5 l/min.



The "ODE" reserves the right to carry out technical and aesthetic modifications without prior notification

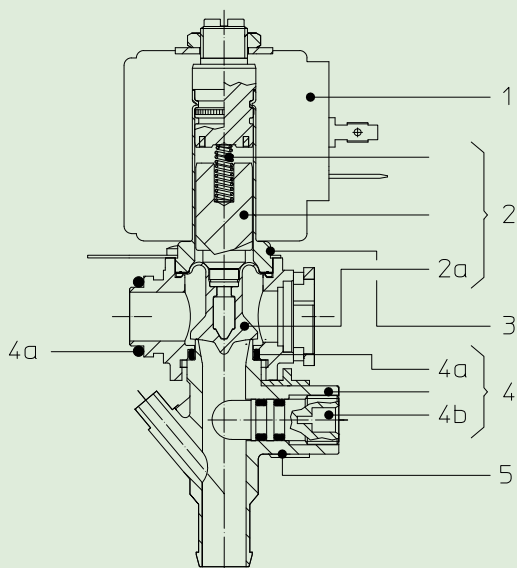
**MATERIALS:**

- Body** PSU (Polysulphone)
- Lower body** PSU (Polysulphone)
- Lower body clamping device** PA (Polyammide)
- Armature tube** Brass - UNI EN 12164 CW614N
- Fixed core** Stainless steel AISI series 400
- Plunger** Stainless steel AISI series 400
- Phase displacement ring** Copper - Cu 99,9%
- Spring** Stainless steel AISI series 300
- Bellow membrane** Standard: S = VMQ  
On request W = MFQ

**SPARE PARTS:**

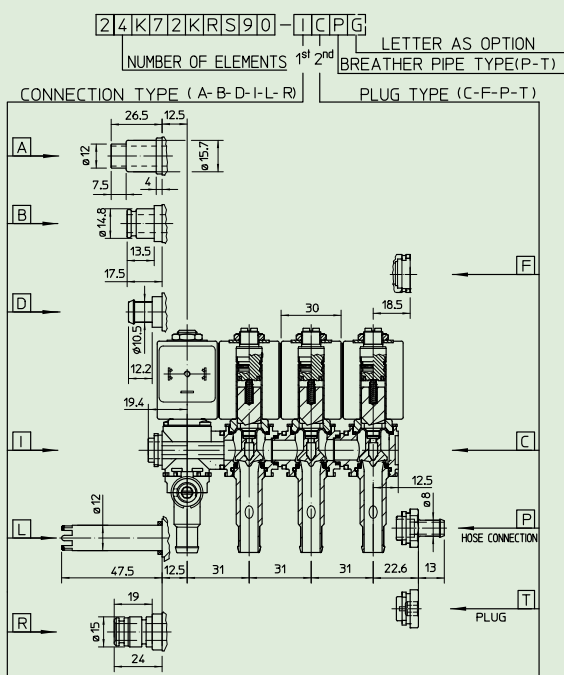
- 1. Coil:** See coils list
- 2. Complete plunger:** Cod. R452491/S
- 2a. Bellow membrane:** Code R452489/S
- 3. Complete armature tube:** Code R452197
- 4. Lower body assembly:** Code R452493
- 4a. Gasket O-Ring:** Code R990052/S
- 4b. Flow setting screw with O-Ring:** Code R452226
- 5. Lower body clamping device:** Code R452259

**KIT:**  
KR130KRS90-L3=2+3

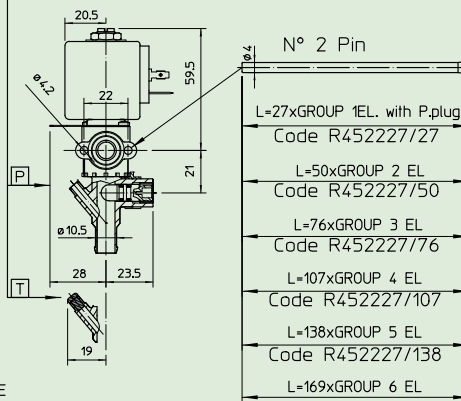


**DIMENSIONS:**

**SOLENOID VALVE CODING WITH ACCESSORIES**



- KEY :**
- A = Connection  $\varnothing 15,7 \times 22,5$
  - B = Connection  $\varnothing 15 \times 13,5$  with OR
  - C = S.V. body-closed
  - D = Hose connection  $\varnothing 10,5 \times 12,2$
  - F = S.V. body-open-female bayonet joint
  - G = Selflocking gasket (R451856) for connection type "A" only
  - I = Male bayonet joint
  - L = Connection  $\varnothing 12 \times 47,5$
  - P = Hose connection
  - R = Quick coupling joint  $\varnothing 15 \times 19$
  - T = Polysulphone plug for F joint
  - T = Silicone plug for breather pipe



- FOR LEFT INLET INDICATE THE LETTER CORRESPONDING TO CONNECTION TYPE IN THE FIRST BOX, AND TO PLUG TYPE IN THE SECOND BOX.

- FOR RIGHT INLET INDICATE THE LETTER CORRESPONDING TO CONNECTION TYPE IN THE SECOND BOX, AND TO PLUG TYPE IN THE FIRST BOX.

COIL TYPE	POWER ABSORPTION		
	W	Hold VA ~	Inrush VA ~
B	8	14,5	25