



# Modular Solenoid valve 2/2 way N.C. Direct acting - NSF Certified

JM Series  
R1 gold-plated

## PRESENTATION:

Direct acting S.V. for interception of fluids compatible with the construction materials.

Minimum operational pressure is not required.

The materials used and the tests carried out ensure maximum reliability and duration.

**USE:** Automation, Sterilization  
Vending

**PIPES:** G 1/8 male/female; Ø 6 (hose connection); fast fitting

**COILS:** 5W - Ø 10  
LBA 155°C (class F)  
LBV 180°C (class H)

**COIL HOUSING AND COIL FORMER MATERIAL ARE MADE BY 100% VIRGIN MATERIAL.**

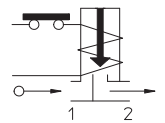
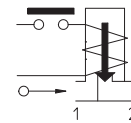
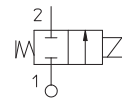
Max. allowable pressure (PS) 16 bar (25 bar)

Ambient temperature:

See coils catalogue page for its compatibility.



Gaskets	Temperature		Medium
V=FKM (fluoroelastomer)	- 10°C	+140°C	Air, water, iner gasi, steam



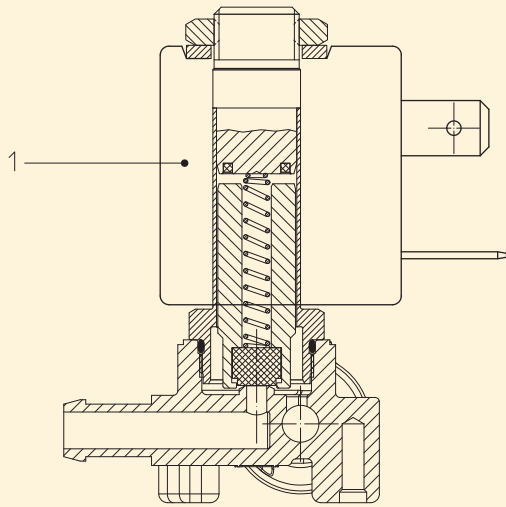
Pipe ISO 228/1	Std code n. 3 modules (inlet right)	Max viscosity		Ø mm	Kv l/mn	Power watt	Pressure		
		cSt	°E				min bar	M.O.P.D. AC bar DC bar	
G 1/8 male	23MA1VBDBDBD-T0	12	~ 2	1,2	0,8	5	0	15	15
	23MA1VBEBEBE-T0	37	~ 5	2,3	2			6	
	23MA1VBFBFBF-T0	53	~ 7	2,6	2,5			10	3,5
G 1/8 female	23MA2VADADAD-T0	12	~ 2	1,2	0,8	5	0	15	15
	23MA2VAEAEAE-T0	37	~ 5	2,3	2			6	
	23MA2VAFAFAF-T0	53	~ 7	2,6	2,5			10	3,5

Pipe ISO 228/1	Std code n. 3 modules (inlet right)	Max viscosity		Ø mm	Kv l/mn	Power watt	Pressure		
		cSt	°E				min bar	M.O.P.D. AC bar DC bar	
Ø 6 ext.	23MA3VCDCCDCD-T0	12	~ 2	1,2	0,8	5	0	15	15
	23MA3VCECECE-T0	37	~ 5	2,3	2			6	
	23MA3VCFCFCF-T0	53	~ 7	2,6	2,5			10	3,5
Fast fitting	23MA4VDDDDDD-T0	12	~ 2	1,2	0,8	5	0	15	15
	23MA4VDEDEDE-T0	37	~ 5	2,3	2			6	
	23MA4VDFDFDF-T0	53	~ 7	2,6	2,5			10	3,5

## Note

Max torque for fittings and nut assembly 2 Nm. Evaluate tightening torque for tapered fittings | In case glue is used to seal the fittings, verify the compatibility with body material (PPS) | Don't mount the groups with 1 or more elements cantilever | For application with steam or with PS above the 16 bar , please consult our Technical Service | Available on request and with minimum quantities.

\*ODE \* se réserve le droit d'apporter des modifications technique et esthétique sans avis préalable.



**MATERIALS:**

<b>Body</b>	PPS
<b>Armature tube</b>	Stainless steel AISI series 300
<b>Fixed core</b>	Stainless steel AISI series 400
<b>Plunger</b>	Stainless steel AISI series 400
<b>Phase displacement ring</b>	Gold plated copper
<b>Spring</b>	Stainless steel AISI series 300
<b>Seal</b>	V=FKM
<b>Orificie</b>	PPS

**On request:**

<b>Connector</b>	Pg 9 o Pg 11
<b>Connector conformity</b>	ISO 4400

**FEATURES:**

<b>Electrical conformity</b>	IEC 335
<b>Protection degree</b>	IP 65 EN 60529 (DIN 40050) with coil fitted by connector.

**SPARE PARTS**

**1. Coil:**

See coils list

**O-Ring for modules:**

Code R990005/VX

**Locker clip:**

Code R453121

**ACCESSORIES:**

Tube (int.Ø 2 mm; ext.Ø 4mm)  
for fast fitting

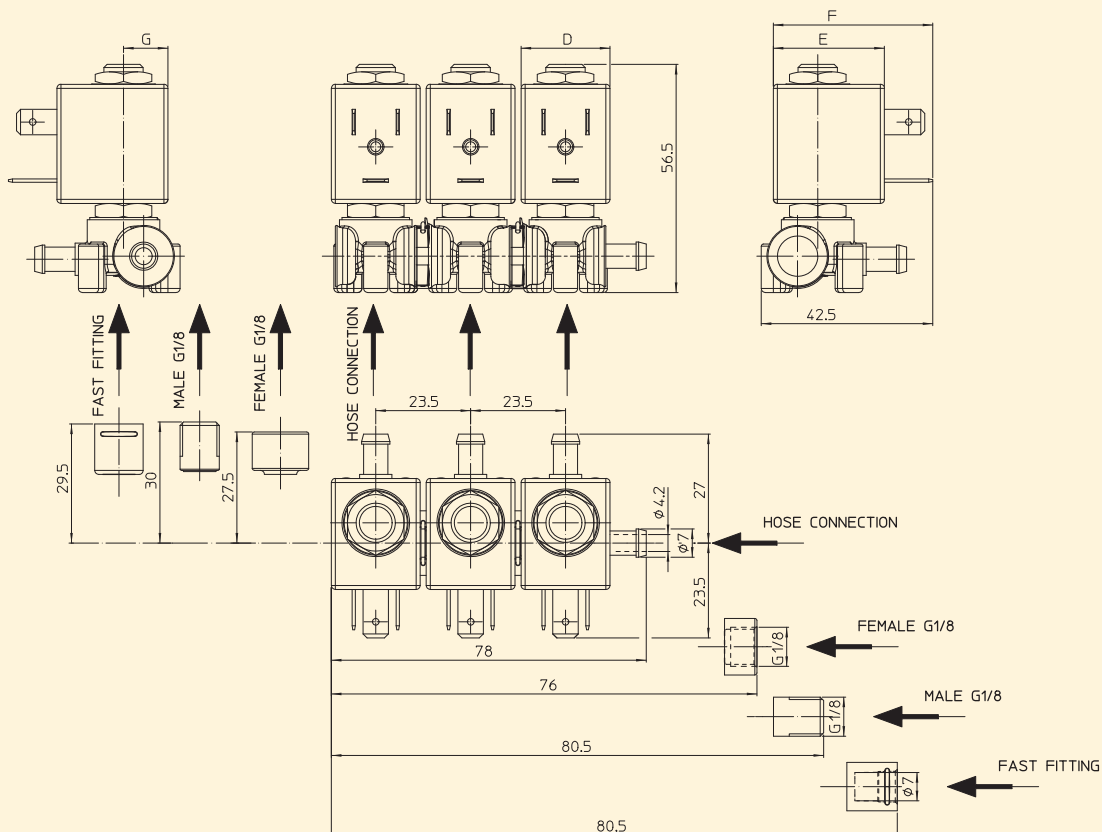
Code R453130/

Tube with male fitting

Code R453154/

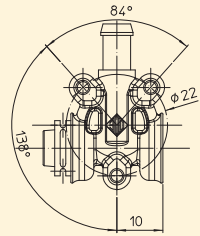
Tube with double male fitting

(see catalogue page)





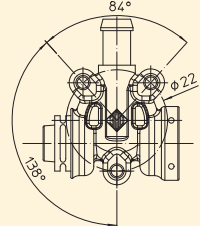
COIL TYPE	POWER ABSORPTION			DIMENSIONS			
	W ==	Hold VA ~	Inrush VA ~	D mm	E mm	F mm	G mm
L	5	10	15	22	27,5	39,5	11



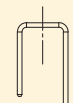
TERMINAL MODULE



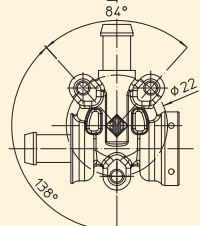
O-RING FOR MODULES  
R990005/VX



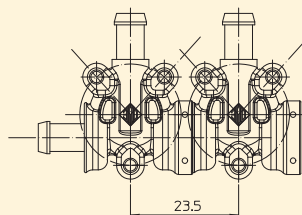
INTERMEDIATE MODULE



LOCKER CLIP  
R453121



INLET MODULE



INCREMENTAL MODULE

2	3	M	A	1	V	B	D	B	D	B	D	-	T	0
---	---	---	---	---	---	---	---	---	---	---	---	---	---	---

Type of way

n° of elements  
min 2 - max 4

Serial type

Inlet

A=right  
B=left

Type of inlet pipe

Gasket type

Valve specification (see label)

NSF Approved

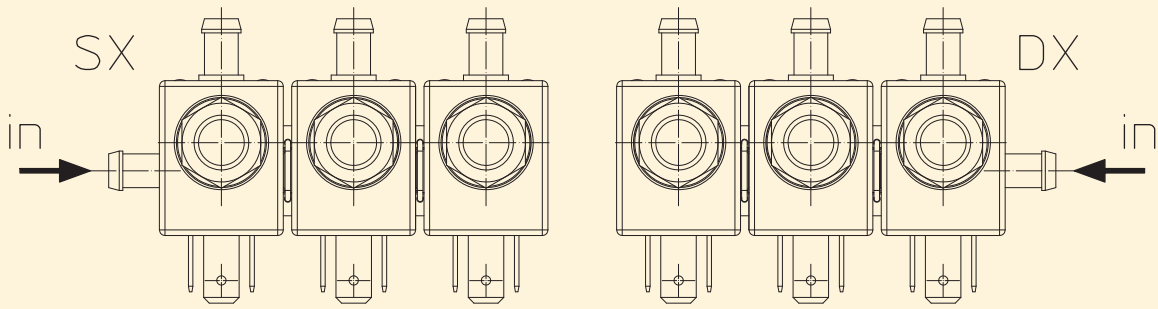
Pipe outlet	Ø orifice	Element code
1	1,2	BD
2		AD
3		CD
4	2,3	DD
1		BE
2		AE
3	2,6	CE
4		DE
1		BF
2	2,6	AF
3		CF
4		DF

Pipe code inlet / outlet			
1	G 1/8 male	3	Hose connection
2	G 1/8 female	4	Fast fitting

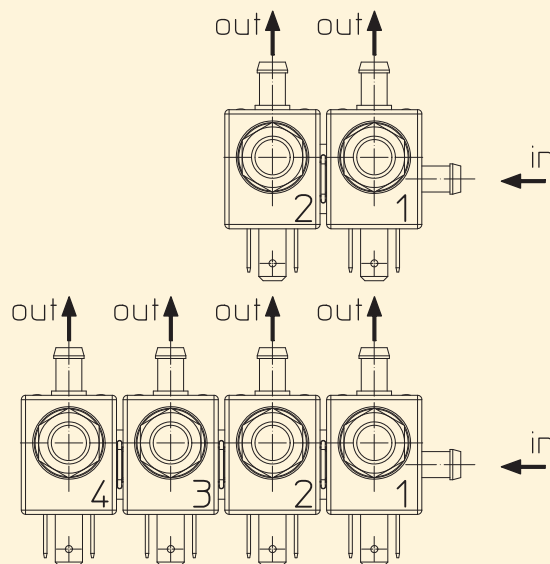
**Description/example**

2= number of way  
3=n. 3 elements  
M= Modular plastic series  
A= Set S.V. with right inlet  
1= Inlet G 1/8 male  
V= FKM Seal  
BA= Outlet G 1/8; Ø orifice 1,2; fixed core type R1  
BA= Outlet G 1/8; Ø orifice 1,2; fixed core type R1  
BA= Outlet G 1/8; Ø orifice 1,2; fixed core type R1

## TYPE WITH LEFT AND RIGHT INLET



## SET S.V. FROM N. 2 TO N. 4 S.V.



## ROTATIONAL STEP TO 90°

