



Solenoid valve 3/2 way N.C. Direct acting Explosion proof - Atex Ex d

31LN2EIV20
÷
31LN2EIV30

PRESENTATION:

Direct acting S.V. for interception of fluids compatible with the construction materials. Aluminium coil housing, explosion proof "Ex d" . Electrical and electromechanical components according to Atex Directive 94/9/CE
Minimum operational pressure is not required.
The materials used and the tests carried out ensure maximum reliability and duration..

USE: Potentially explosive atmospheres
Zone 1, 2, 21, 22

PIPES: 1/4 NPT

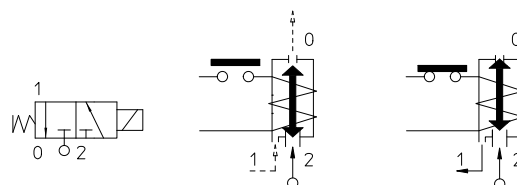
COIL: 8W - Ø 13
BDA 155°C (class F)

Max. allowable pressure (PS) 40 bar
Housing ambient temperature - 40°C + 60°C



Gaskets	Temperature		Medium
V=FKM (fluoroelastomer)	- 10°C	+ 80°C	Mineral oils (2°E), gasoline gas oil, fuel oils (7°E))
F=H-NBR (hydrogenated nitrile)	- 10°C	+ 80°C	Air, inert gas, water R 134a, R 404a

For seals other than FKM replace the letter "V" with the ones corresponding to the other seals. E.I. 31LN2EIV20.



Pipe ANSI/ASME BI.20.1	Code	Max viscosity		Ø mm	Kv l/mn	Power watt	Pressure		
		cSt	°E				min bar	M.O.P.D. AC bar DC bar	
1/4 NPT	31LN2EIV20	37	~ 5	2	2	8	0	10	10
	31LN2EIV30	53	~ 7	3	4			5	5

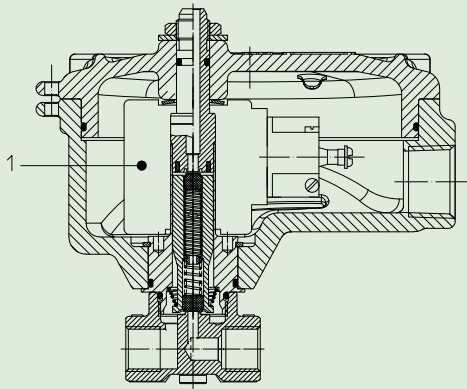


(According to Directive 94/9/CE ATEX)
II 2G Ex d IIC T6 o T5 Gb
II 2D Ex tb IIIC T80°C o T95°C Db IP67

Note

* 3rd way exhaust= Ø 3 mm

The "ODE" reserves the right to carry out technical and aesthetic modifications without prior notification.



MATERIALS:

Body	Stainless steel AISI 316
Armature tube	Stainless steel AISI series 300
Fixed core	Stainless steel AISI series 400
Plunger	Stainless steel AISI series 400
Phase displacement ring	Gold plated copper
Spring	Stainless steel AISI series 300
Seal	Standard: V=FKM On request: F=H-NBR
Orifice	Stainless steel AISI 316
Housing	Aluminium die cast

Connector conformity ISO 4400

FEATURES:

Electrical conformity	IEC 335
Protection degree	IP 65 EN 60529 (DIN 40050) with hosing fitted by cable gland Atex Ex d.

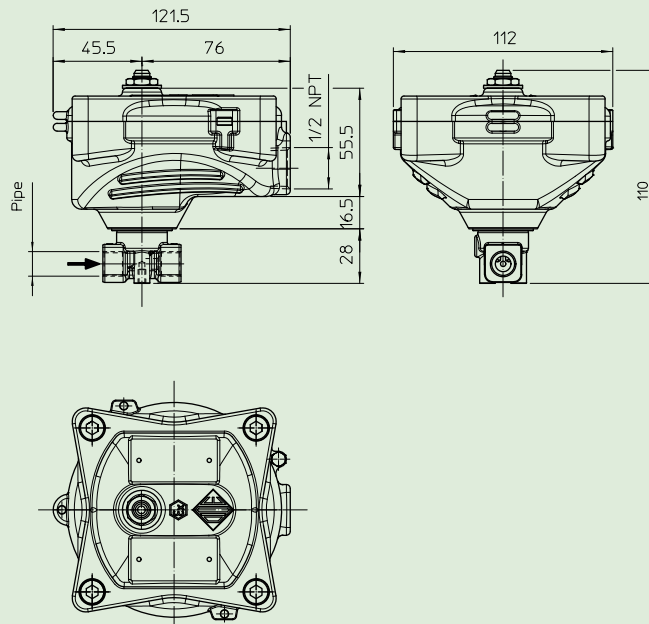
SPARE PARTS:

- 1. Coil:**
 BDA08012CS
 BDA08024CS
 BDA08024DS
 BDA08048AS
 BDA08048CS
 BDA08110CS
 BDA08110DS

ACCESSORIES:

Code P992219 Cable Gland
(to be ordered separately)

DIMENSIONS:



COIL TYPE	POWER ABSORPTION		
	W	Hold VA ~	Inrush VA ~
B	8	14,5	25