



# Solenoid valve 3/2 way N.C. Direct acting - Latching coils

31A3AV15  
÷  
31A2AV20  
Latching coils

## PRESENTATION:

Direct acting S.V. for interception of fluids compatible with the construction materials.  
Opening is obtained by a ~ 20 msec pulse, and closing by another ~ 20 msec pulse, with reversed polarity.  
Minimum operational pressure is not required.  
The materials used and the tests carried out ensure maximum reliability and duration.

**USE:** Automation  
Heating

**PIPES:** G 1/8 - G 1/4

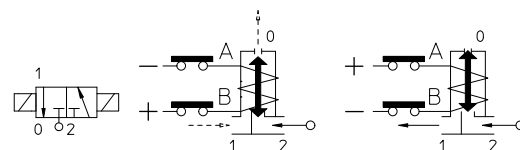
**COILS:** BDA05006LS 155°C (class F)  
BDA05009LS 155°C (class F)  
BDA05012LS 155°C (class F)  
BDA05024LS 155°C (class F)

**MOULDING AND BOBBIN ARE MADE BY 100% VIRGIN MATERIAL.**

Max. allowable pressure (PS) 40 bar  
Ambient temperature: - 10°C + 60°C



Gaskets	Temperature	Medium
V=FKM (fluoroelastomer)	- 10°C + 140°C	Mineral oils (2°E), gasoline gas oil, fuel oils (5°E)



Pipe ISO 228/1	Code	Coil code	Voltages VDC	Max viscosity		Ø mm	Kv l/mn	Power (watt)	Pressure	
				cSt	°E				min bar	M.O.P.D. DC bar
G 1/8	31A3AV15	BDA05006LS	6	12	~ 2	1,5*	1,4	5	0	15
	31A3AV20	BDA05009LS	9	37	~ 5	2*	2			9
G 1/4	31A2AV15	BDA05012LS	12	12	~ 2	1,5*	1,4			15
	31A2AV20	BDA05024LS	24	37	~ 5	2*	2			9

## Note

\* 3rd way exhaust= Ø 2,5 mm  
Also available with brass body without lead.

The "ODE" reserves the right to carry out technical and aesthetic modifications without prior notification.

### MATERIALI:

<b>Body</b>	Brass - UNI EN 12165 CW617N
<b>Armature tube</b>	Stainless steel AISI series 300
<b>Fixed core</b>	Stainless steel AISI series 400
<b>Plunger</b>	Stainless steel AISI series 400
<b>Phase displacement ring</b>	Copper - Cu 99,9%
<b>Spring</b>	Stainless steel AISI series 300
<b>Seal</b>	V=FKM
<b>Orifice: Insert slot</b>	Stainless steel AISI series 300

### On request:

<b>Connector</b>	Pg 9 or Pg 11
<b>Connector conformity</b>	ISO 4400

### FEATURES:

<b>Electrical conformity</b>	IEC 335
<b>Protection degree</b>	IP 65 EN 60529 (DIN 40050) with coil fitted by connector.

### SPARE PARTS:

#### 1. Coil:

- BDA05006LS
- BDA05009LS
- BDA05012LS
- BDA05024LS

#### KIT:

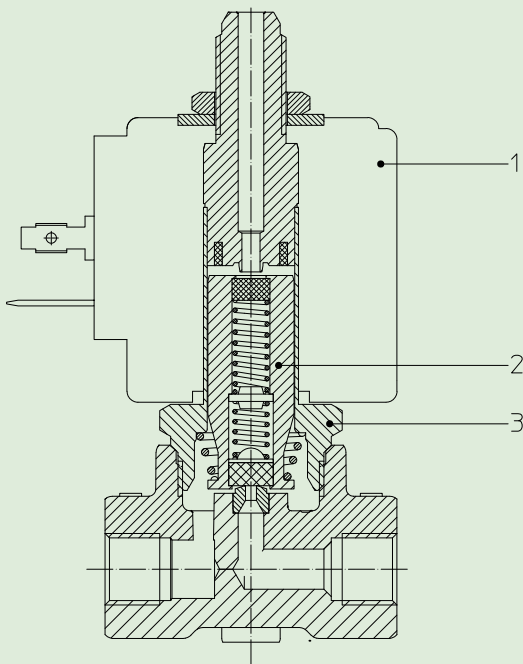
KT130AV30-A=2+3

#### 2. Complete plunger:

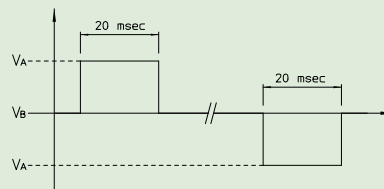
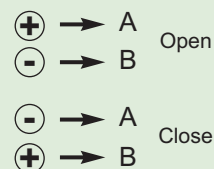
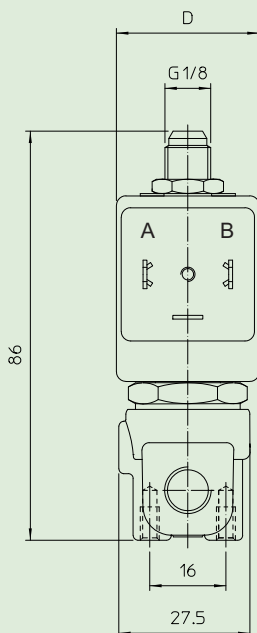
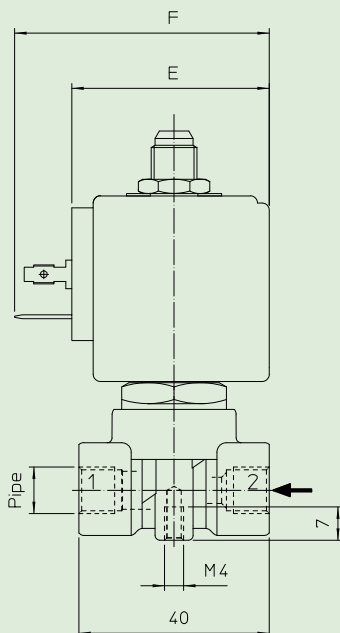
Code R450675/V

#### 3. Complete armature tube:

Code R450944



### DIMENSIONS:



Type	Pipe ISO 228/1
31A3AV	G 1/8
31A2AV	G 1/4

COIL TYPE	POWER ABSORPTION			DIMENSIONS		
	W ---	Hold VA ~	Inrush VA ~	D mm	E mm	F mm
B	5	10	15	22	27,5	39,5