



Solenoid valve 2/2 way N.O. With pilot control Explosion proof - Atex Ex d

21W3ZIB190
÷
21W7ZIB500

PRESENTATION:

S.V. with pilot control for interception of fluids compatible with the construction materials. Aluminium coil housing, explosion proof "Ex d". Electrical and electromechanical components according to Atex Directive 94/9/CE

A minimum operational pressure of 0,2 bar is required. The materials used and the tests carried out ensure maximum reliability and duration.

USE: Potentially explosive atmospheres
Zone 1, 2, 21, 22

PIPES: G 3/4 - G 2

COIL: 8W - Ø 13
BDA 155°C (class F)

Max. allowable pressure (PS)

G 3/4 - G 1 25 bar

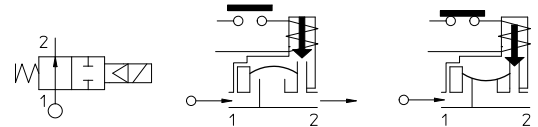
G 1 1/4 - G 2 16 bar

Housing ambient temperature - 40°C + 60°C



Gaskets	Temperature		Medium
B =NBR (nitrile rubber)	- 10°C	+ 80°C	Air, inert gas, water
E =EPDM (ethylene-propylene)	- 10°C	+ 80°C	Water, low pressure steam
V =FKM (fluoroelastomer)	- 10°C	+ 80°C	Mineral oils (2°E), gasoline gas oil
F =H-NBR (hydrogenated nitrile)	- 30°C	+ 80°C	Air, inert gas, water R 134a, R 404a

For seals other than NBR replace the letter "B" with the ones corresponding to the other seals. E.I. 21W3ZIV190.



Pipe ISO 228/1	Code	Max viscosity		Ø mm	Kv l/mn	Power watt	Pressure		
		cSt	°E				min bar	M.O.P.D. AC bar DC bar	
G 3/4	21W3ZIB190	12	~ 2	19	140	8	0,2	16	16
G 1	21W4ZIB250			25	190				
G 1 1/4	21W5ZIB350			35	400				
G 1 1/2	21W6ZIB400			40	520			10	10
G 2	21W7ZIB500			50	750				



(According to Directive 94/9/CE ATEX)
II 2G Ex d IIC T6 o T5 Gb
II 2D Ex tb IIIC T80°C o T95°C Db IP67

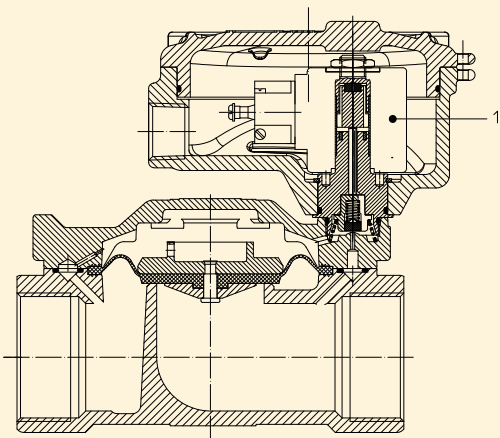


CE Approval
(Pressure Equipment Directive 97/23/CE
for EV 21W5÷21W7

Note

Available on request and with minimum quantities.

The "ODE" reserves the right to carry out technical and aesthetic modifications without prior notification.



MATERIALS:

Body Brass - UNI EN 12165 CW617N
Armature tube Stainless steel AISI series 300
Fixed core Stainless steel AISI series 400
Plunger Stainless steel AISI series 400
Phase displacement ring Copper - Cu 99,9%
Spring Stainless steel AISI series 300
Seal Standard: B=NBR
 On request :V=FKM; E=EPDM ;F=H-NBR
Orifice Brass - UNI EN 12165 CW617N
Housing Aluminium die cast

Connector conformity ISO 4400

FEATURES:

Electrical conformity IEC 335
Protection degree IP 65 EN 60529 (DIN 40050)
 with housing fitted by cable gland
 Atex Ex d.

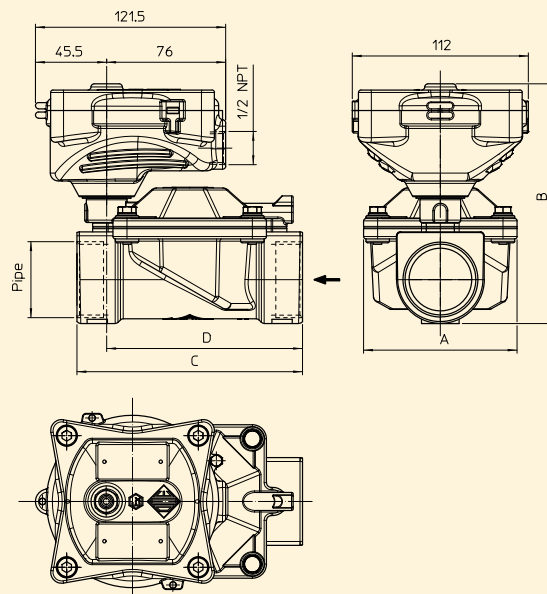
SPARE PARTS:

- 1. Coil:**
 BDA08012CS
 BDA08024CS
 BDA08024DS
 BDA08048AS
 BDA08048CS
 BDA08110CS
 BDA08110DS
 BDA08223DS

ACCESSORIES:

Code P992219 Cable Gland
 (to be ordered separately)

DIMENSIONS:



Type	Pipe ISO 228/1	A mm	B mm	C mm	D mm
21W3ZIB190	G 3/4	65	128	104	89
21W4ZIB250	G 1		136		
21W5ZIB350	G 1 1/4	98	153	144	125
21W6ZIB400	G 1 1/2				
21W7ZIB500	G 2	118	144	172	150

COIL	POWER ABSORPTION		TYPE
	W	VA ~	
8 W	25	14,5	B