



Solenoid valve 2/2 way N.C. Direct acting

21A3K0V15-OX
÷
21A2K0V55-OX

PRESENTATION:

Direct acting S.V. for interception of fluids compatible with the construction materials.

Minimum operational pressure is not required.

The materials used and the tests carried out ensure maximum reliability and duration.

Components, in contact with fluid, oils and greases free and compatible with oxygen for Industrial use.

USE: Automation
Chemical

PIPES: G 1/8 - G 1/4

COILS:
8W - Ø13
BDA - BSA 155°C (class F)
BDV 180°C (class H)
12W - Ø 13
UDA 155°C (class F)
14W - Ø 13
GDH - GDV 180°C (class H)

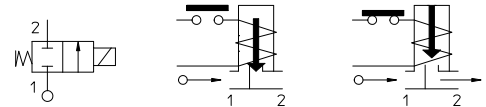
**COIL HOUSING AND COIL FORMER MATERIAL ARE
MADE BY 100% VIRGIN MATERIAL.**

Max. allowable pressure (PS) 25 bar

Ambient temperature:

See coils catalogue page for its compatibility.

Gaskets	Temperature		Medium
V=FKM (fluoroelastomer)	- 10°C	+ 60°C	Oxygen



Pipe ISO 228/1	Code	Ø mm	Kv l/mn	Power watt	Pressure			
					min bar	M.O.P.D. AC bar DC bar		
G 1/8	21A3K0V15-OX	1,5	1,4	8	0	25	18	
	21A3K0V20-OX	2	2	12		22	16	
				14		25	25	
	21A3K0V25-OX	2,5	3,2	8		14	9	
				12		25	25	
	21A3K0V30-OX	3	4	8		10	6	
				12		25	18	
	21A3KV45-OX	4,5	6,5	14		25	20	
				8		5	2	
				12		12	7	
				14		12	8	
				21A2K0V15-OX		1,5	1,4	8
12					22			16
21A2K0V20-OX	2	2	14	25	25			
			8	14	9			
21A2KV25-OX	2,5	3,2	12	25	25			
			14	10	6			
21A2K0V30-OX	3	4	8	25	18			
			12	25	20			
21A2K0V45-OX	4,5	6,5	14	5	2			
			8	12	7			
			12	12	8			
			14	3	1			
21A2K0V55-OX	5,5	9	8	7	2,5			
			12	10	5			
			14					

Note Don't use as a safety Valve.

The "ODE" reserves the right to carry out technical and aesthetic modifications without prior notification.

MATERIALS:

Body	Brass - UNI EN 12165 CW617N
Armature tube	Stainless steel AISI series 300
Fixed core	Stainless steel AISI series 400
Plunger	Stainless steel AISI series 400
Phase displacement ring	Copper - Cu 99,9%
Spring	Stainless steel AISI series 300
Seal	V=FKM (compatible with O ₂)
Orifice:	
≤ 3 mm	Insert slot
> 3 mm	Stainless steel AISI series 300
	Brass - UNI EN 12165 CW617N

On request:

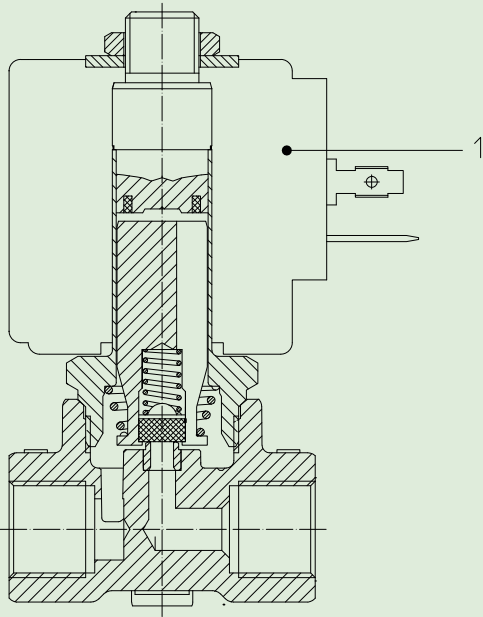
Connector	Pg 9 or Pg 11
Connector conformity	ISO 4400

FEATURES:

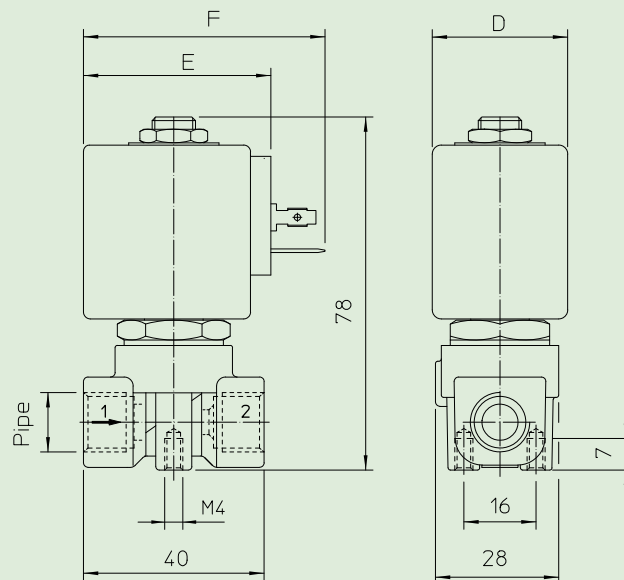
Electrical conformity	IEC 335
Protection degree	IP 65 EN 60529 (DIN 40050) with coil fitted by connector.

SPARE PARTS:

- Coil:**
See coils list



DIMENSIONS:



COIL TYPE	POWER ABSORPTION			DIMENSIONS		
	W ==	Hold VA ~	Inrush VA ~	D mm	E mm	F mm
B	8	14,5	25	30	42	54
U	12	23	35	36	48	60
G	14	27	43	52	55	67