



Solenoid valve 3/2 way - Universal Direct acting

31A3GV10-U

÷

31A2EV30-U

PRESENTATION:

Direct acting S.V. for interception of fluids compatible with the construction materials.

Minimum operational pressure is not required.

The materials used and the tests carried out ensure maximum reliability and duration

USE: Automation
Heating

PIPES: G 1/8 - G 1/4

COILS: 8W - Ø 13
BDA - BDS - BSA 155°C (class F)
BDF - BDV 180°C (class H)

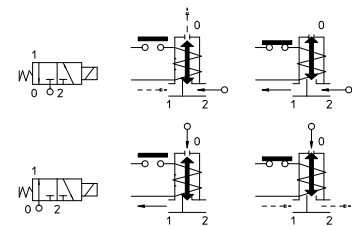
MOULDING AND BOBBIN ARE MADE BY 100% VIRGIN MATERIAL.

Max. allowable pressure (PS) 40 bar
Ambient temperature:
with coil class F - 10°C + 60°C
with coil class H - 10°C + 80°C



Gaskets	Temperature		Medium
	- 10°C	+140°C	
V=FKM (fluoroelastomer)	- 10°C	+140°C	Mineral oils (2°E), gasoline gas oil, fuel oils (7°E)
B=NBR (nitrile rubber)	- 10°C	+ 90°C	Air, inert gas, water

For seals other than FKM replace the letter "V" with the ones corresponding to the other seals. E.I. 31A3FB15-U.



Pipe ISO 228/1	Code	Max viscosity		Ø mm	Kv l/mn	Power (watt)	Pressure		
		cSt	°E				min bar	M.O.P.D.	
								AC bar	DC bar
G 1/8	31A3GV10-U	12	~ 2	1*	0,8	8	0	18	18
	31A3FV15-U			1,5*	1,4			10	10
	31A3AV25-U	53	~ 7	2,5*	3,2			4	4
	31A3EV30-U			3*	4			3,5	3,5
G 1/4	31A2GV10-U	12	~ 2	1*	0,8			18	18
	31A2FV15-U			1,5*	1,4			10	10
	31A2AV25-U	53	~ 7	2,5*	3,2			4	4
	31A2EV30-U			3*	4			3,5	3,5

Note

* 3rd way exhaust: 31A_GV Ø 1 mm
31A_FV Ø 1,5 mm
31A_AV Ø 2,5 mm
31A_EV Ø 3 mm

Also available with brass body without lead.

The "ODE" reserves the right to carry out technical and aesthetic modifications without prior notification.

MATERIALS:

Body Brass - UNI EN 12165 CW617N
Armature tube Stainless steel AISI series 300
Fixed core Stainless steel AISI series 400
Plunger Stainless steel AISI series 400
Phase displacement ring Copper - Cu 99,9%
Spring Stainless steel AISI series 300
Seal Standard: V=FKM
 On request: B=NBR
Orifice: Insert slot Stainless steel AISI series 300

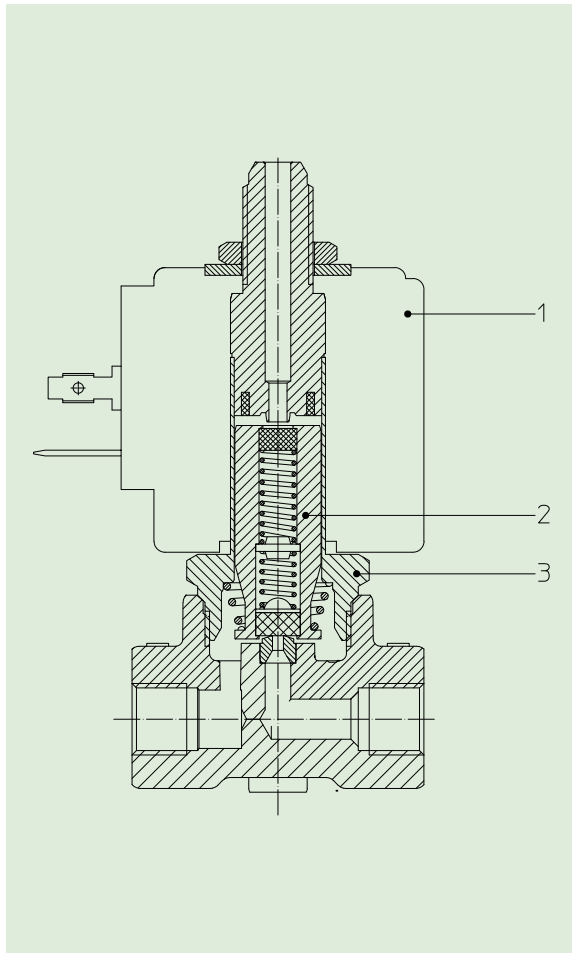
On request:
Connector Pg 9 or Pg 11
Connector conformity ISO 4400

FEATURES:

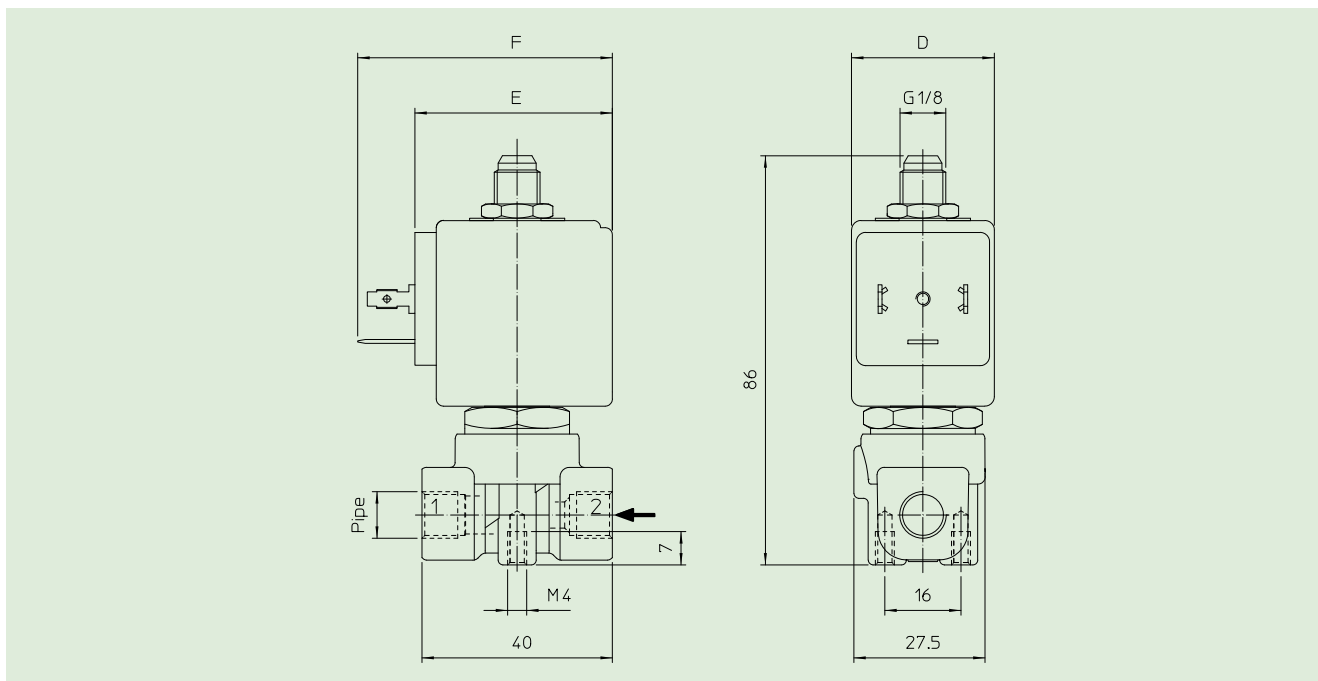
Electrical conformity IEC 335
Protection degree IP 65 EN 60529 (DIN 40050)
 with coil fitted by connector.

SPARE PARTS:

- 1. Coil:** Orifice=2,5 mm
 See coils list Code R450944
- 2. Complete plunger:** Orifice=3 mm
 Orifice ≤ 2,5 mm Code R450689/V
 Orifice = 3 mm Code R451448/V
- 3. Complete armature tube:** Orifice=1 mm Code R450644
 Orifice=1,5 mm Code R450664



DIMENSIONS:



Type	Pipe ISO 228/1
31A3_V	G 1/8
31A2_V	G 1/4

COIL TYPE	POWER ABSORPTION			DIMENSIONS		
	W ---	Hold VA ~	Inrush VA ~	D mm	E mm	F mm
B	8	14,5	25	30	42	54