



# Solenoid valve 2/2 way N.C. With pilot control

21W3KB190

÷

21W7KB500

## PRESENTATION:

S.V. with pilot control for interception of fluids compatible with the construction materials.

A minimum operational pressure of 0,2 bar is required.

The materials used and the tests carried out ensure maximum reliability and duration.

**USE:** Automation  
Heating

**PIPES:** G 3/4 - G 2

**COILS:** 8W - Ø 13  
BDA - BSA 155°C (class F)  
BDV 180°C (class H)

**COIL HOUSING AND COIL FORMER MATERIAL ARE MADE BY 100% VIRGIN MATERIAL.**

Max. allowable pressure (PS)

G 3/4 - G 1 23 bar

G 1 1/4 - G 2 16 bar

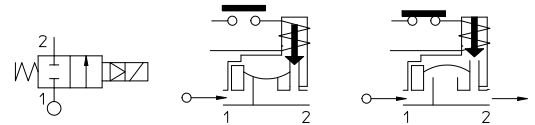
Ambient temperature:

See coils catalogue page for its compatibility.



Gaskets	Temperature		Medium
	- 10°C	+ 90°C	
<b>B</b> =NBR (nitrile rubber)	- 10°C	+ 90°C	Air, inert gas, water
<b>E</b> =EPDM (ethylene-propylene)	- 10°C	+140°C	Water, low pressure steam
<b>V</b> =FKM (fluoroelastomer)	- 10°C	+140°C	Mineral oils (2°E), gasoline gas oil

For seals other than NBR replace the letter "B" with the ones corresponding to the other seals. E.I. 21W3KE190.



Pipe ISO 228/1	Code	Max viscosity		Ø mm	Kv l/mn	Power watt	Pressure		
		cSt	°E				min bar	M.O.P.D.	
								AC bar	DC bar
G 3/4	21W3KB190	12	~ 2	19	140	8	0,2	16	16
G 1	21W4KB250			25	190				
G 1 1/4	21W5KB350			35	400				
G 1 1/2	21W6KB400			40	520			10	10
G 2	21W7KB500			50	750				



**CE Approval**

(Pressure Equipment Directive 97/23/CE)

for S.V. 21W5÷21W7

The "ODE" reserves the right to carry out technical and aesthetic modifications without prior

### MATERIALS:

<b>Body</b>	Brass - UNI EN 12165 CW617N
<b>Armature tube</b>	Stainless steel AISI series 300
<b>Fixed core</b>	Stainless steel AISI series 400
<b>Plunger</b>	Stainless steel AISI series 400
<b>Phase displacement ring</b>	Copper - Cu 99,9%
<b>Spring</b>	Stainless steel AISI series 300
<b>Seal</b>	Standard: B=NBR On request: E=EPDM V=FKM
<b>Orifice</b>	Brass - UNI EN 12165 CW617N

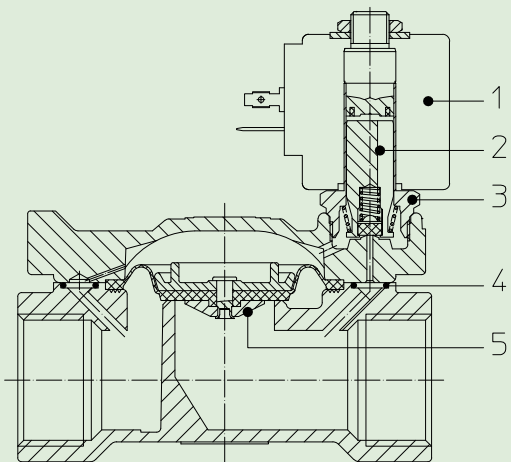
**On request:**  
**Connector** Pg 9 or Pg 11  
**Connector conformity** ISO 4400

### FEATURES:

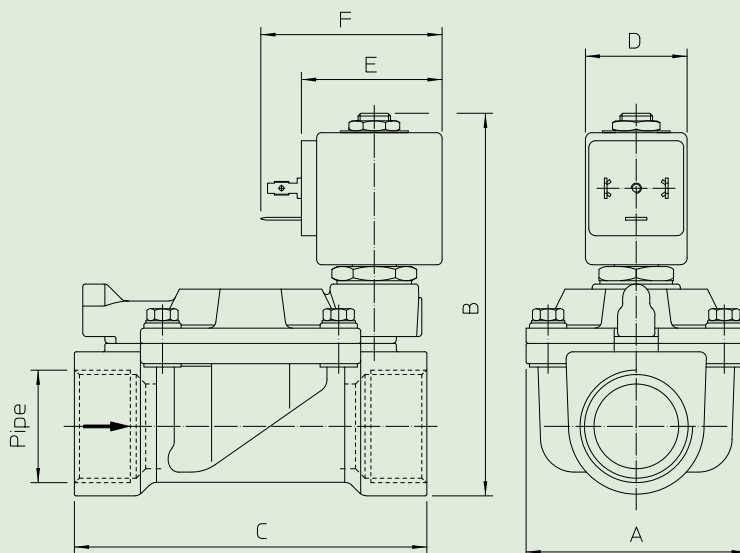
**Electrical conformity** IEC 335  
**Protection degree** IP 65 EN 60529 (DIN 40050)  
 with coil fitted by connector.

### SPARE PARTS:

- |   |  |
|---|--|
| <b>1. Coil:</b><br>See coils list   | <b>KIT:</b><br>KT130KB30-A=2+3                                 |
| <b>2. Complete plunger:</b><br>Code R450886/B   | <b>MAINTENANCE KIT:</b>  |
| <b>3. Complete armature tube:</b><br>Code R450606   | G 3/4-G 1<br>KTG0W3KB19=2+4+5                                  |
| <b>4. Gasket O-Ring:</b><br>G 3/4-G 1 Code R990002/B<br>G 1 1/4-G 1 1/2 Code R990005/B<br>G 2 Code R990081/B      | G 1 1/4-G 1 1/2<br>KTG0W5KB35=2+4+5<br>G 2<br>KTG0W7KB50=2+4+5 |
| <b>5. Complete diaphragm:</b><br>G 3/4-G 1 Code R450431/B<br>G 1 1/4-G 1 1/2 Code R450466/B<br>G 2 Code R450432/B |  |



### DIMENSIONS:



Type	Pipe ISO 228/1	A mm	B mm	C mm
21W3KB190	G 3/4	65	105	104
21W4KB250	G 1		112	
21W5KB350	G 1 1/4	98	125	144
21W6KB400	G 1 1/2			
21W7KB500	G 2	118	141	172

COIL TYPE	POWER ABSORPTION			DIMENSIONS		
	W =	Hold VA ~	Inrush VA ~	D mm	E mm	F mm
B	8	14,5	25	30	42	54