



Solenoid valve 2/2 way N.O. Direct acting

212M0AV25

PRESENTATION:

Direct acting S.V. for interception of fluids compatible with the construction materials.

Minimum operational pressure is not required.

The materials used and the tests carried out ensure maximum reliability and duration.

USE: Automation
Heating

PIPES: G 1/8

COILS: 8W - Ø 13
BDA - BDS - BSA 155°C (class F)
BDF - BDV 180°C (class H)

MOULDING AND BOBBIN ARE MADE BY 100% VIRGIN MATERIAL.

Max. allowable pressure (PS) 25 bar

Ambient temperature:

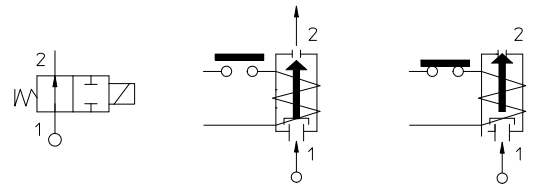
with coil class F - 10°C + 60°C

with coil class H - 10°C + 80°C



Gaskets	Temperature		Medium
V=FKM (fluoroelastomer)	- 10°C	+140°C	Mineral oils (2°E), gasoline gas oil, fuel oils (7°E)
B=NBR (nitrile rubber)	- 10°C	+ 90°C	Air, inert gas, water

For seals other than FKM replace the letter "V" with the ones corresponding to the other seals. E.I. 212M0AB25.



Pipe ISO 228/1	Code	Max viscosity		Ø mm	Kv l/mn	Power (watt)	Pressure				
		cSt	°E				min bar	M.O.P.D.			
								Gas/Air		Liquids	
AC bar	DC bar	AC bar	DC bar								
G 1/8	212M0AV25	53	~ 7	2,5	3,5	8	0	18	-	8	-
							4	-	18	-	8

The "ODE" reserves the right to carry out technical and aesthetic modifications without prior notification.

MATERIALS:

Body	Brass - UNI EN 12164 CW614N
Welded armature tube	Stainless steel AISI series 300 + Brass - UNI EN 12164 CW614N
Fixed core	Stainless steel AISI series 300
Plunger	Stainless steel AISI series 400
Phase displacement ring	Copper - Cu 99,9%
Spring	Stainless steel AISI series 300
Seal	Standard: V=FKM On request: B=NBR
Orifice	Stainless steel AISI series 300

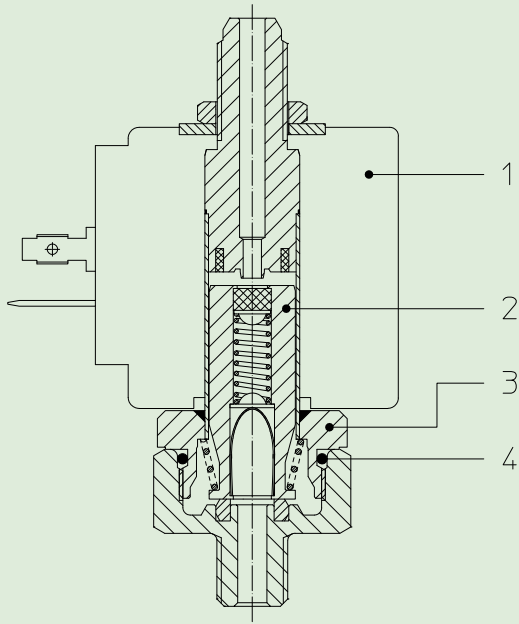
On request:	
Connector	Pg 9 or Pg 11
Connector conformity	ISO 4400

FEATURES:

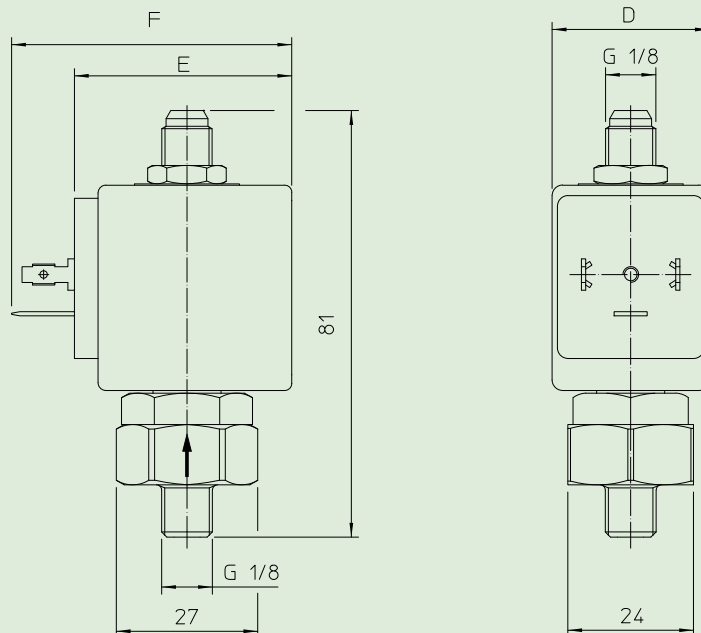
Electrical conformity	IEC 335
Protection degree	IP 65 EN 60529 (DIN 40050) with coil fitted by connector.

SPARE PARTS:

- 1. Coil:**
See coils list
- 2. Complete plunger:**
Code R450759/V
- 3. Complete armature tube:**
Code R450690
- 4. Gasket O-Ring:**
Code R990000/V



DIMENSIONS:



COIL TYPE	POWER ABSORPTION			DIMENSIONS		
	W ---	Hold VA ~	Inrush VA ~	D mm	E mm	F mm
B	8	14,5	25	30	42	54