



Solenoid valve 2/2 way N.C. Direct acting Explosion proof - Atex Ex d

21L2KIV25
÷
21L2KIV55

PRESENTATION:

Direct acting S.V. for interception of fluids compatible with the construction materials. Aluminium coil housing, explosion proof "Ex d". Electrical and electromechanical components according to Atex Directive 94/9/CE
Minimum operational pressure is not required.
The materials used and the tests carried out ensure maximum reliability and duration.

USE: Potentially explosive atmospheres
Zone 1, 2, 21, 22

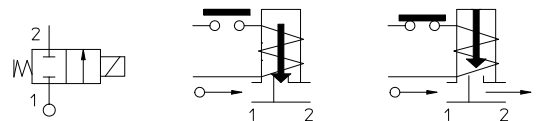
PIPES: G 1/4

COIL: 8W - Ø 13
BDA 155°C (class F)

Max. allowable pressure (PS) 40 bar
Housing ambient temperature - 40°C + 60°C



Gaskets	Temperature		Medium
	- 10°C	+ 80°C	
V=FKM (fluoroelastomer)	- 10°C	+ 80°C	Demineralized water, syrups, chemical products compatible with stainless steel



Pipe ISO 228/11	Code	Max viscosity		Ø mm	Kv l/mn	Power watt	Pressure		
		cSt	°E				min bar	M.O.P.D.	
								AC bar	DC bar
G 1/4	21L2KIV25	53	~ 7	2,5	3,2	8	0	14	9
	21L2KIV30			3	4			10	6
	21L2KIV40			4	5			6	1,7
	21L2KIV55			5,5	9			3,5	1



(According to Directive 94/9/CE ATEX)
II 2G Ex d IIC T6 o T5 Gb
II 2D Ex tb IIC T80°C o T95°C Db IP67

The "ODE" reserves the right to carry out technical and aesthetic modifications without prior notification.

MATERIALS

Body	Stainless steel AISI 316
Armature tube	Stainless steel AISI series 300
Fixed core	Stainless steel AISI series 400
Plunger	Stainless steel AISI series 400
Phase displacement ring	Gold plated copper
Spring	Stainless steel AISI series 300
Seal	V=FKM
Orifice	Stainless steel AISI 316
Housing	Aluminium die cast

Connector conformity ISO 4400

FEATURES:

Electrical conformity	IEC 335
Protection degree	IP 65 EN 60529 (DIN 40050) with hosing fitted by cable gland Atex Ex d.

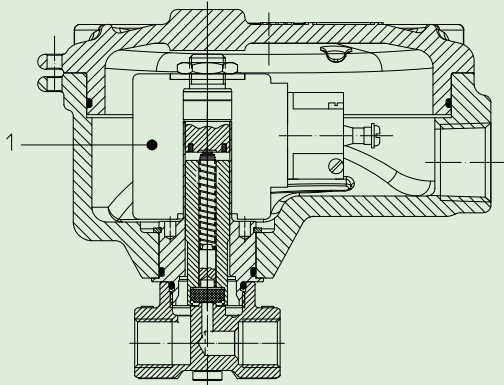
SPARE PARTS:

1. Coil:

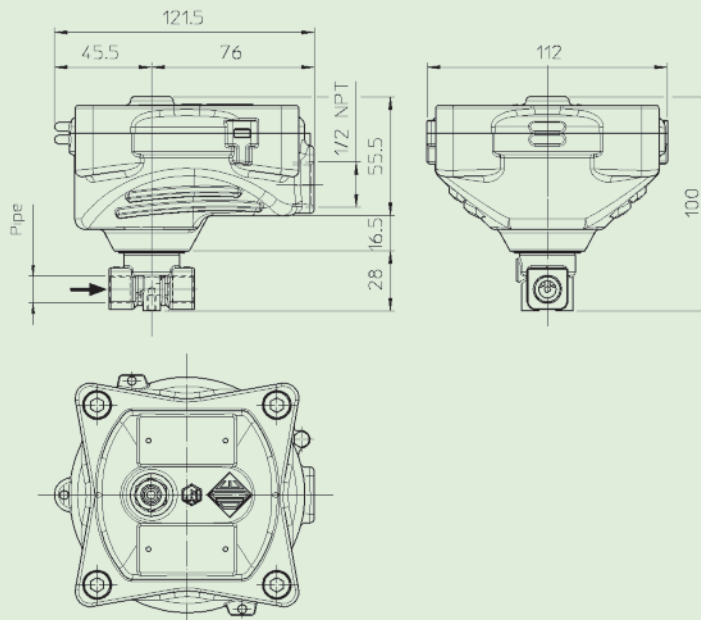
BDA08012CS
BDA08024CS
BDA08024DS
BDA08048AS
BDA08048CS
BDA08110CS
BDA08110DS
BDA08223DS

ACCESSORIES:

Code P992219 Cable Gland
(to be ordered separately)



DIMENSIONS:



COIL TYPE	POWER ABSORPTION		
	W	Hold VA ~	Inrush VA ~
B	8	14,5	25