



**Total separation solenoid valve
2/2 way N.C. with flow regulation
Direct acting - NSF Certified**

**21D72RRS90-L
÷
21D72RRS90-R**

PRESENTATION:

Directing acting S.V. for automatic drink dispensers.
Minimum operational pressure is not required.
The material used and the tests carried out ensure maximum reliability and duration.

USE: Automatic drink dispensers

PIPES: Boiler stub connection Ø12 - Ø 11

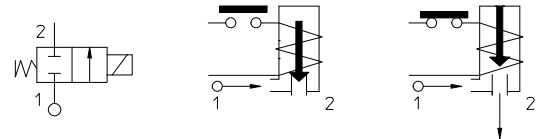
COILS: 12W ED 50% - Ø 10
ICA 155°C (class F)

**COIL HOUSING AND COIL FORMER MATERIAL ARE
MADE BY 100% VIRGIN MATERIAL.**

Ambient temperature:
See coils catalogue page for its compatibility.



Gaskets	Temperature		Medium
	+ 2°C	+100°C	
S=VMQ (silicone)			Water



Pipe	Code	Max viscosity		Ø mm	Kv l/mn	Power watt	Pressure		
		cSt	°E				min bar	M.O.P.D.	
								AC bar	DC bar
Ø12	21D72RRS90-L	-	-	9	*	12 ED 50%	0	0,3	0,3
	21D72RRS90-M								
Ø11	21D72RRS90-R								

* FLOW RATE WITH HEAD OF 80 mm = 2,5 l/min.

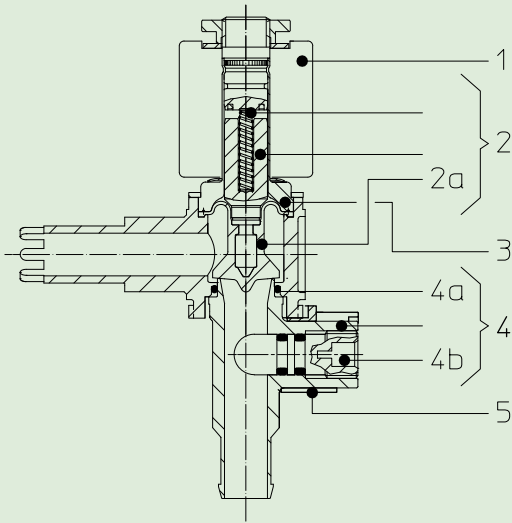


Note
Available on request and with minimum quantities

The "ODE" reserves the right to carry out technical and aesthetic modifications without prior notification.

MATERIALS:

Body	PSU (Polysulphone)
Lower body	PSU (Polysulphone)
Lower body clamping device	PA (Polyamide)
Armature tube	Brass - UNI EN 12164 CW614N
Fixed core	Stainless steel AISI series 400
Plunger	Stainless steel AISI series 400
Phase displacement ring	Copper - Cu 99,9%
Spring	Stainless steel AISI series 300
Bellow membrane	Standard: S = MVQ On request W = MFQ



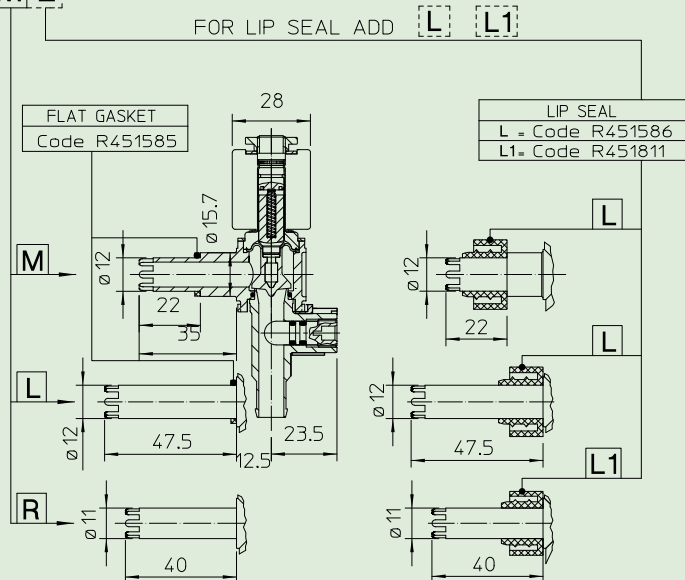
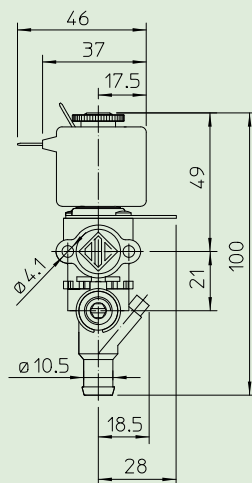
SPARE PARTS:

1. Coil: See coils list	4a. Gasket O-Ring: Code R990052/S
2. Complete plunger: Code R452501/S	4b. Flow setting screw with O-Rings: Code R452226
2a. Bellow membrane: Code R452489/S	5. Lower body clamping device: Code R452259
3. Complete armature tube: Code R452241	KIT: KR100KRS90-L2=2+3
4. Lower body assembly: Code R452492	

DIMENSIONS:

SOLENOID VALVE CODING WITH ACCESSORIES

21D72RRS90 - ML



COIL TYPE	POWER ABSORPTION		
	W ==	Hold VA ~	Inrush VA ~
I	12	22	30