



Solenoid valve 2/2 way N.C. Direct acting

21A2K0712-XC

PRESENTATION:

Direct acting S.V. for interception of fluids compatible with the construction materials.

Minimum operational pressure is not required.

The materials used and the tests carried out ensure maximum reliability and duration.

USE: Automation

PIPES: G 1/4

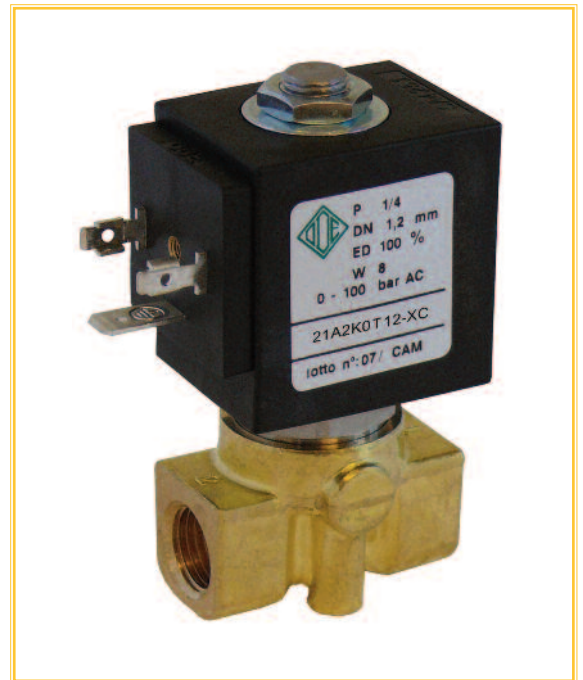
COIL: 8W - Ø 13
 BDA - BSA 155°C (class F)
 BDV 180°C (class H)
 12W - Ø 13
 UDA 155°C (class F)
 UDV 180°C (class H)

COIL HOUSING AND COIL FORMER MATERIAL ARE MADE BY 100% VIRGIN MATERIAL.

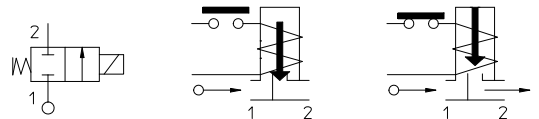
Max. allowable pressure (PS) 100 bar

Ambient temperature:

See coils catalogue page for its compatibility.



Gaskets	Temperature		Medium
	-40°C	+180°C	
T=PTFE (polytetrafluorethylen)			Air, water



Pipe ISO 228/1	Code	Max viscosity		Ø mm	Kv l/mn	Power watt	Pressure		
		cSt	°E				min bar	M.O.P.D.	
								AC bar	DC bar
G 1/4	21A2K0712-XC	12	~ 2	1,2	1	8 12	0 0	100 100	90 100

Note.

Available on request and with minimum quantities.

The "ODE" reserves the right to carry out technical and aesthetic modifications without prior notification.

MATERIALS:

Body	Brass - UNI EN 12165 CW617N
Armature tube	Stainless steel AISI series 300
Fixed core	Stainless steel AISI series 400
Plunger	Stainless steel AISI series 400
Phase displacement ring	Copper - Cu 99,9%
Spring	Stainless steel AISI series 300
Main seal	T=PTFE
Orifice: Insert slot	Stainless steel AISI series 300

On request:

Connector	Pg 9 o Pg 11
Connector conformity	ISO 4400

FEATURES:

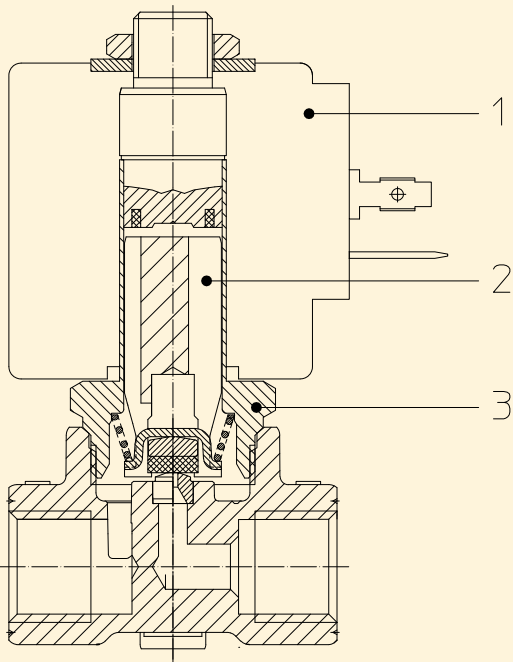
Electrical conformity	IEC 335
Protection degree	IP 65 EN 60529 (DIN 40050) with coil fitted by connector..

SPARE PARTS:

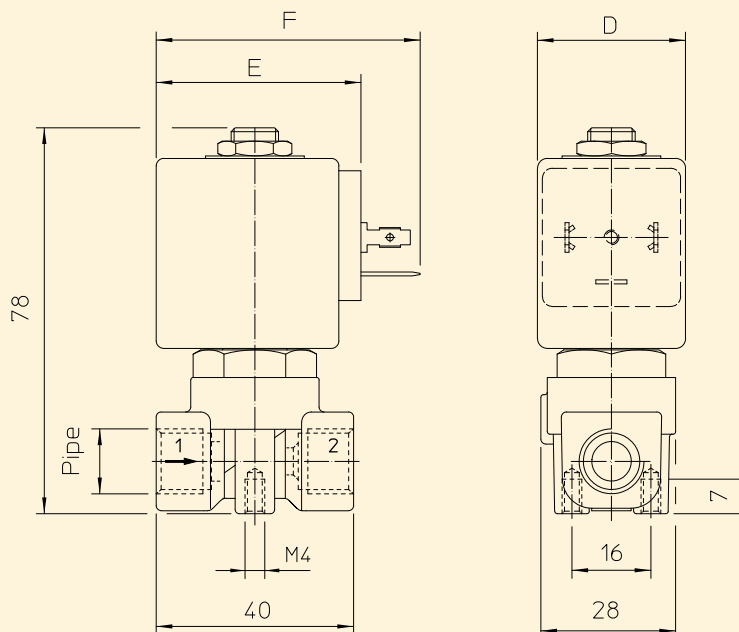
- Coil:**
See coils list
- Complete plunger:**
Code R450897
- Complete armature tube:**
Code R450606

KIT:

KT130K T30-AP =2+3



DIMENSIONS:



COIL TYPE	POWER ABSORPTION			DIMENSIONS		
	W =	Hold VA ~	Inrush VA ~	D mm	E mm	F mm
B	8	14,5	25	30	42	54
U	12	23	35	36	48	60