



**Solenoid valve 2/2 way N.C.  
Direct acting  
Explosion proof - Ex mb II T 4**

**21LN2QDV25  
÷  
21LN2QDV55**

**PRESENTATION:**

Direct acting S.V. for interception of fluids compatible with the construction materials.

Minimum operational pressure is not required.

The materials used and the tests carried out ensure maximum reliability and duration.

**USE:** Potentially explosive atmospheres

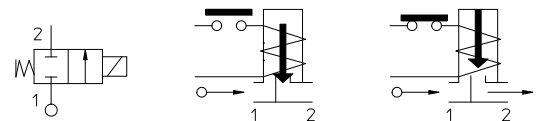
**PIPE:** 1/4 NPT

**COILS:** Series TNA - Ø 14,5  
(For characteristic see catalogue page)

Max. allowable pressure (PS) 40 bar  
Temperature max. medium + 80°C  
Ambient temperature:  
See coils catalogue page for its compatibility.



Gaskets	Temperature		Medium
V=FKM (fluoroelastomer)	- 10°C	+ 80°C	Mineral oils (2°E), gasoline gas oil, fuel oils (7°E)
F=H-NBR (hydrogenated nitrile)	- 20°C	+ 80°C	Air, inert gas, water R 134a, R 404a



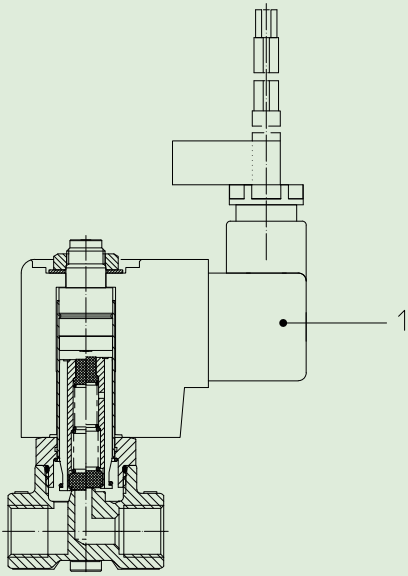
For seals other than FKM replace the letter "V" with the ones corresponding to the other seals. E.I. 21LN2QDF25.

Pipe ANSI/ASME Bl.20.1	Code	Max viscosity		Ø mm	Kv l/mn	Power watt	Pressure		
		cSt	°E				min bar	M.O.P.D. AC bar DC bar	
1/4 NPT	21LN2QDV25	53	~ 7	2,5	3,2	(See TNA coils catalogue page)	0	14	9
	21LN2QDV30			3	4			10	6
	21LN2QDV40			4	5			6	1,7
	21LN2QDV55			5,5	9			3,5	1



( ATEX/ITA/09/063  
According to Directive 94/9/CE ATEX )

The "ODE" reserves the right to carry out technical and aesthetic modifications without prior notification.



#### MATERIALS:

<b>Body</b>	Stainless steel AISI 316
<b>Armature tube</b>	Stainless steel AISI series 300
<b>Fixed core</b>	Stainless steel AISI series 400
<b>Plunger</b>	Stainless steel AISI series 400
<b>Phase displacement ring</b>	Gold plated copper
<b>Spring</b>	Stainless steel AISI series 300
<b>Seal</b>	Standard: V=FKM On request: F=H-NBR
<b>Orifice</b>	Stainless steel AISI 316

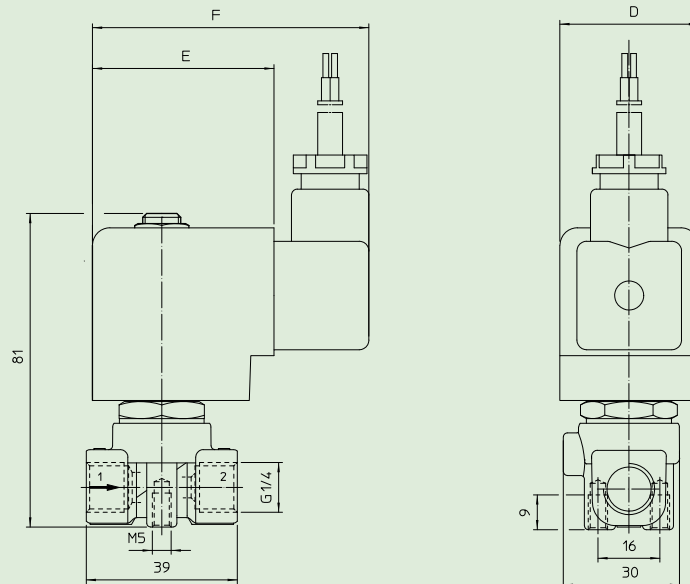
#### FEATURES:

<b>Protection degree</b>	IP 65 EN 60529 (DIN 40050)
--------------------------	----------------------------

#### SPARE PARTS:

- Coil:**  
See TNA coils list

#### DIMENSIONS:



COIL TYPE	DIMENSIONS		
	D mm	E mm	F mm
T	36	47	71