



Total separation solenoid valve diverter 3/2 way - Direct acting

31KPDF1KRS30

PRESENTATION:

Direct acting S.V. for interception of fluids compatible with the construction materials.

Minimum operational pressure is not required.

The materials used and the tests carried out ensure maximum reliability and duration.

USE: Suitable for applications sectors Vending, Medical and Chemical Industry

PIPES: G 1/8

COIL: 8W - Ø 13
 BDA - BSA 155°C (class F)
 BDV 180°C (class H)

COIL HOUSING AND COIL FORMER MATERIAL ARE MADE BY 100% VIRGIN MATERIAL.

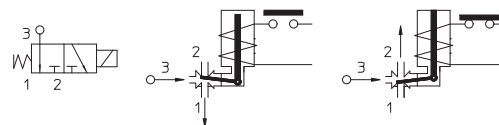
Max. allowable pressure (PS) 8 bar

Ambient temperature:

See coils catalogue page for its compatibility.



Gaskets	Temperature		Medium
	+ 2°C	+ 100°C	
S=VMQ (silikon)			Water, air and neutral fluids



Pipe ISO 228/1	Code	Max viscosity		Ø mm	Kv l/mn	Power watt	Pressure		
		cSt	°E				min bar	M.O.P.D.	
								AC bar	DC bar
G 1/8	31KPDF1KRS30	21	~ 3	3	4,5	8	0	6	4

Note

Max torque for fittings assembly 2 Nm | In case glue is used to seal the fittings, verify the compatibility with body material (PSU).

The "ODE " reserves the right to carry out technical and aesthetic modifications without prior notice.

MATERIALS:

Body	PSU (Polysulphone)
Armature tube	Brass - UNI EN 12164 CW614N
Fixed core	Stainless steel AISI series 400
Plunger	Stainless steel AISI series 400
Phase displacement ring	Copper - Cu 99,9%
Spring	Stainless steel AISI series 300
Seal	S=VMQ
Orificie	PSU (Polysulphone)

On request:
Connector
Connector conformity

Pg 9 o Pg 11
ISO 4400

FEATURES:

Electrical conformity
Protection degree

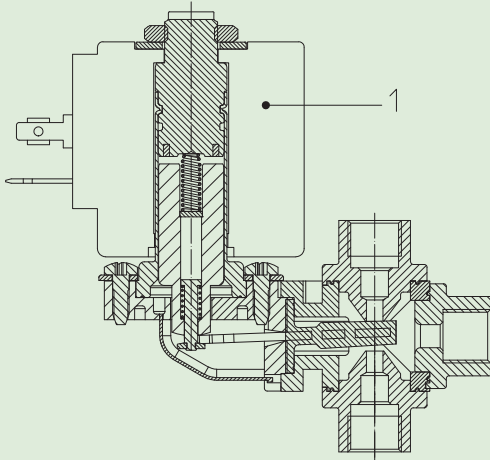
IEC 335
IP 65 EN 60529 (DIN 40050)
if equipped with connector IP 65.

SPARE PARTS:

1. Coil:
See coils list

ACCESSORIES:

Fixing bracket
(see catalogue page)



DIMENSIONS:

