



Solenoid valve 3/2 way N.C. Direct acting - NSF Certified

31A31A1V10-T3
÷
31A22A1V30-T3

PRESENTATION:

Direct acting S.V. for interception of fluids compatible with the construction materials.
Minimum operational pressure is not required.
The materials used and the tests carried out ensure maximum reliability and duration.

USE: Vending

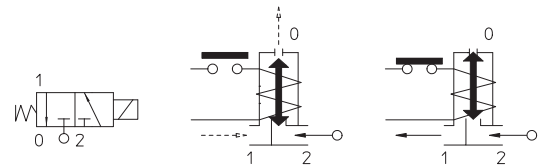
PIPES: G 1/8 - G 1/4

COILS:
8W - Ø 13
BDA - BSA 155°C (class F)
BDV 180°C (class H)

Max. allowable pressure (PS) 40 bar
Ambient temperature:
See coils catalogue page for its compatibility.



Gaskets	Temperature	Medium
V=FKM (fluoroelastomer)	- 10°C + 140°C	Water, air, steam



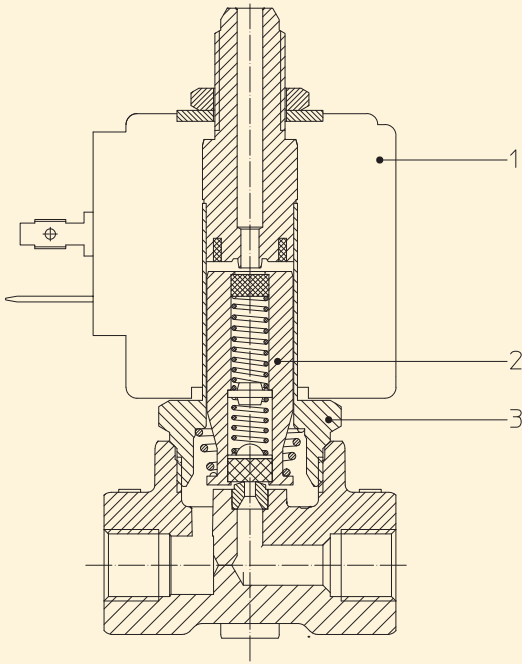
Pipe ISO 228/1	Code	Max viscosity		Ø mm	Kv l/mn	Power watt	Pressure		
		cSt	°E				min bar	M.O.P.D. AC bar DC bar	
G 1/8	31A31A1V10-T3	12	~ 2	1*	0,45	8	0	20	20
	31A31A1V15-T3			1,5*	1,4			15	15
	31A31A1V20-T3	37	~ 5	2*	2			10	10
	31A31A1V25-T3	53	~ 7	2,5*	3,2			6	6
	31A31A1V30-T3			3*	4			5	5
G 1/4	31A22A1V10-T3	12	~ 2	1*	0,45			20	20
	31A22A1V15-T3			1,5*	1,4			15	15
	31A22A1V20-T3	37	~ 5	2*	2			10	10
	31A22A1V25-T3	53	~ 7	2,5*	3,2			6	6
	31A22A1V30-T3			3*	4			5	5



Note

* 3rd way exhaust = Ø 2,5 mm | Available on request and with minimum quantities.

The "ODE" reserves the right to carry out technical and aesthetic modifications without prior notification.



MATERIALS:

Body	Low Lead Brass
Armature tube	Stainless steel AISI series 300
Fixed core	Stainless steel AISI series 400
Plunger	Stainless steel AISI series 400
Phase displacement ring	Gold plated copper
Spring	Stainless steel AISI series 300
Seal	V=FKM
Orifice: Insert slot	Stainless steel AISI series 300

On request:

Connector	Pg 9 or Pg 11
Connector conformity	ISO 4400

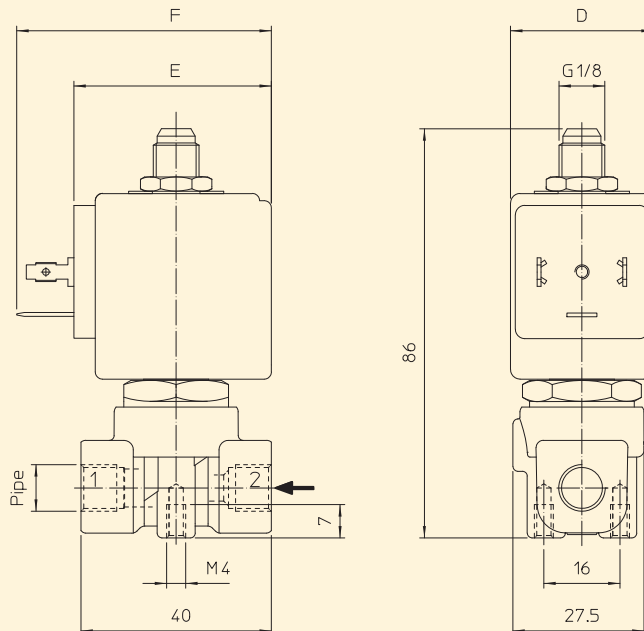
SPARE PARTS:

Electrical conformity	IEC 335
Protection degree	IP 65 EN 60529 (DIN 40050) with coil fitted by connector.

SPARE PARTS:

- | | |
|-----------------------------------|-------------------|
| 1. Coil: | KIT |
| See coils list | KT130A1VX30-A=2+3 |
| 2. Complete plunger: | |
| Code R453269/VX | |
| 3. Complete armature tube: | |
| Code R450944/D | |

DIMENSIONS:



Type	Pipe ISO 228/1
31A31A1V	G 1/8
31A22A1V	G 1/4

COIL TYPE	POWER ABSORPTION			DIMENSIONS		
	W ---	Hold VA ~	Inrush VA ~	D mm	E mm	F mm
B	8	14,5	25	30	42	54