



# Solenoid valve 2/2 way N.C. Combined operation Explosion proof - Atex Ex d

21HN3KIV110-HT

÷

21HN6KIV250-HT

## PRESENTATION:

Combined operation S.V. for interception of fluids compatible with the construction materials. Aluminium coil housing, explosion proof "Ex d". Electrical and electromechanical components according to Atex Directive 94/9/CE.

Minimum operational pressure is not required.

The materials used and the tests carried out ensure maximum reliability and duration.

**USE:** Potentially explosive atmospheres  
Zone 1, 2, 21, 22

**PIPES:** 3/8 NPT - 1 NPT

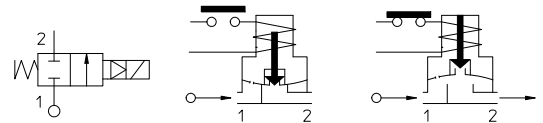
**COIL:** 8W - Ø 13  
BDA 155°C (class F)

Max. allowable pressure (PS) 16 bar  
Housing ambient temperature - 40°C + 60°C



Gaskets	Temperature		Medium
V=FKM+ PA (fluorelastomer+poliamiyde)	- 10°C	+80°C	Mineral oils (2°E),gasoline gas oil
Y=NBR + PA (nitrile rubber +polyamide)	- 10°C	+ 80°C	Air, inert gas, water

For seals other than FKM replace the letter "V" with the ones corresponding to the other seals. 21HN3KIY110-HT.



Pipe ANSI/ASME Bl.20.1	Code	Max viscosity		Ø mm	Kv l/mn	Power watt	Pressure		
		cSt	°E				min bar	M.O.P.D AC bar DC bar	
3/8 NPT	21HN3KIV110-HT	12	~ 2	11	20	8	0	14	5
1/2 NPT	21HN4KIV160-HT			16	40				
3/4 NPT	21HN5KIV160-HT			25	120				
1 NPT	21HN6KIV250-HT							6	-

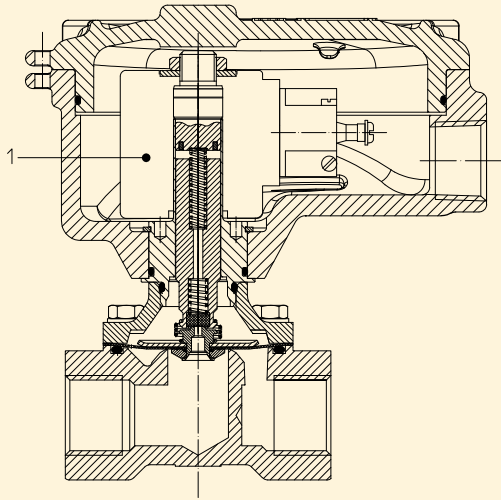


(According to Directive 94/9/CE ATEX)  
II 2G Ex d IIC T6 or T5 Gb  
II 2D Ex tb IIIC T80°C or T95°C Db IP67

## Note

Available on request and with minimum quantities.

The "ODE" reserves the right to carry out technical and aesthetic modifications without prior notification.



**MATERIALS:**

**Body** Brass - UNI EN 12165 CW617N  
**Armature tube** Stainless steel AISI series 300  
**Fixed core** Stainless steel AISI series 400  
**Plunger** Stainless steel AISI series 400  
**Phase displacement ring** Copper - Cu 99,9%  
**Spring** Stainless steel AISI series 300  
**Seal** Standard: V=FKM+PA  
 On request: Y=NBR+PA  
**Orifice** Brass - UNI EN 12165 CW617N  
**Housing** Aluminium die cast

**Connector conformity** ISO 4400

**FEATURES:**

**Electrical conformity** IEC 335  
**Protection degree** IP 65 EN 60529 (DIN 40050)  
 with hosing fitted by cable gland  
 Atex Ex d.

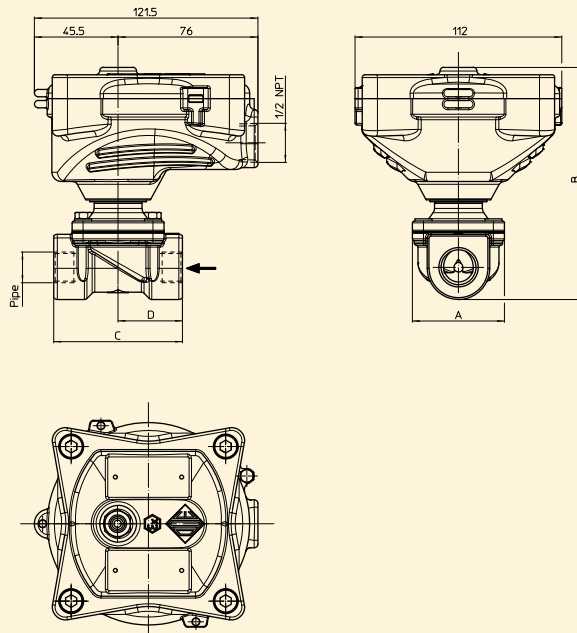
**SPARE PARTS:**

- 1. Coil:**  
 BDA08012CS  
 BDA08024CS  
 BDA08024DS  
 BDA08048AS  
 BDA08048CS  
 BDA08110CS  
 BDA08110DS  
 BDA08223DS

**ACCESSORIES:**

Code P992219 Cable Gland  
 (to be ordered separately)

**DIMENSIONS:**



Type	Pipe	A mm	B mm	C mm	D mm
21HN3KIV110-HT	3/8 NPT	50	113	56	28
21HN4KIV160-HT	1/2 NPT		125	70	35
21HN5KIV160-HT	3/4 NPT				
21HN6KIV250-HT	1 NPT		65	131	104

COIL TYPE	POWER ABSORPTION		
	W	Hold VA ~	Inrush VA ~
B	8	14,5	25