



# Solenoid valve 2/2 way N.C. Direct acting

21A5K0V45-OX  
÷  
21A8K0V55-OX

## PRESENTATION:

Direct acting S.V. for interception of fluids compatible with the construction materials.

Minimum operational pressure is not required.

The materials used and the tests carried out ensure maximum reliability and duration.

Components, in contact with fluid, oils and greases free and compatible with oxygen for Industrial use.

**USE:** Automation  
Chemical

**PIPES:** G 3/8 - G 1/2

**COILS:**

8W - Ø 13	
BDA - BSA	155°C (class F)
BDV	180°C (class H)
12W - Ø 13	
UDA	155°C (class F)
14W - Ø 13	
GDH - GDV	180°C (class H)

**COIL HOUSING AND COIL FORMER MATERIAL ARE MADE BY 100% VIRGIN MATERIAL.**

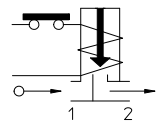
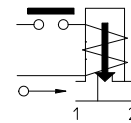
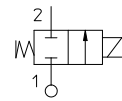
Max. allowable pressure (PS) 25 bar

Ambient temperature:

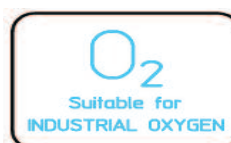
See coils catalogue page for its compatibility.



Gaskets	Temperature		Medium
V=FKM (fluoroelastomer)	- 10°C	+ 60°C	Oxygen



Pipe ISO 228/1	Code	Ø mm	Kv l/mn	Power watt	Pressure							
					min bar	M.O.P.D. AC bar DC bar						
G 3/8	21A5K0V45-OX	4,5	6,5	8	0	5	2					
				12								
				14								
	21A5K0V55-OX	5,5	9	8				12	7	8		
				12								
				14								
G 1/2	21A8K0V45-OX	4,5	6,5	8	10	3	1					
				12								
				14								
	21A8K0V55-OX	5,5	9	8				7	2,5	5		
				12								
				14								
				8							10	5
				12								
				14								



**Note** Don't use as a safety Valve.

The "ODE" reserves the right to carry out technical and aesthetic modifications without prior notification.

## MATERIALS:

<b>Body</b>	Brass - UNI EN 12165 CW617N
<b>Armature tube</b>	Stainless steel AISI series 300
<b>Fixed core</b>	Stainless steel AISI series 400
<b>Plunger</b>	Stainless steel AISI series 400
<b>Phase displacement ring</b>	Copper - Cu 99,9%
<b>Spring</b>	Stainless steel AISI series 300
<b>Seal</b>	V=FKM (compatible with O <sub>2</sub> )
<b>Orifice</b>	Brass - UNI EN 12165 CW617N

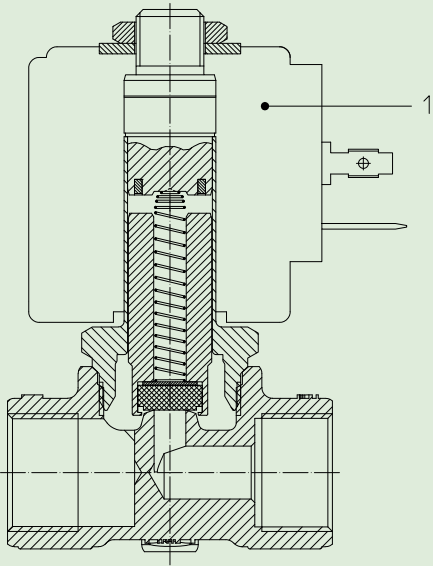
<b>On request:</b>	Pg 9 or Pg 11
<b>Connector</b>	ISO 4400
<b>Connector conformity</b>	

## FEATURES:

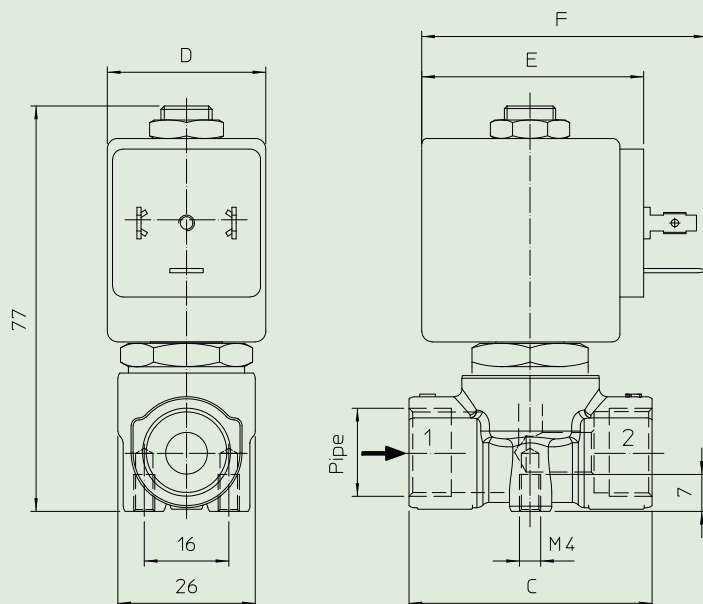
<b>Electrical conformity</b>	IEC 335
<b>Protection degree</b>	IP 65 EN 60529 (DIN 40050) with coil fitted by connector.

## SPARE PARTS:

- Coil:**  
See coils list



## DIMENSIONS:



Type	Pipe ISO 228/1	C mm
21A5K0V	G 3/8	46
21A8K0V	G 1/2	58

COIL TYPE	POWER ABSORPTION			DIMENSIONS		
	W ==	Hold VA ~	Inrush VA ~	D mm	E mm	F mm
B	8	14,5	25	30	42	54
U	12	23	35	36	48	60
G	14	27	43	52	55	67