



Solenoid valve 2/2 way N.C. With pilot control

21X2KT120

÷

21X4KT250

PRESENTATION:

S.V. with pilot control for interception of fluids compatible with the construction materials.

A minimum operational pressure of 0,5 bar is required.

The materials used and the tests undertaken ensure maximum reliability and duration.

USE: Hot water, Chemistry,
Steam (180°C)

PIPES: G 1/2 - G 1

COILS: 8W - Ø 13
BDA - BSA 155°C (class F)
BDV 180°C (class H)

**COIL HOUSING AND COIL FORMER MATERIAL ARE
MADE BY 100% VIRGIN MATERIAL.**

Max. allowable pressure (PS)

G 1/2 25 bar

G 3/4 - G 1 22 bar

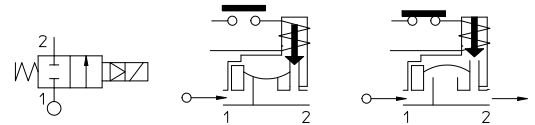
Ambient temperature:

See coils catalogue page for its compatibility.



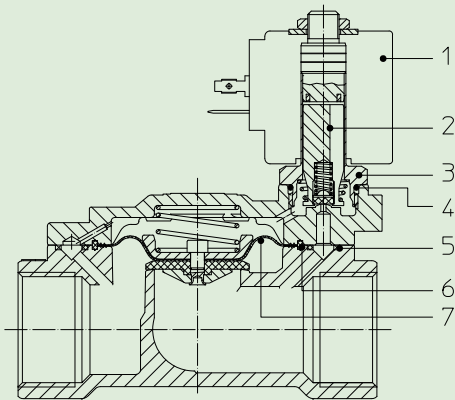
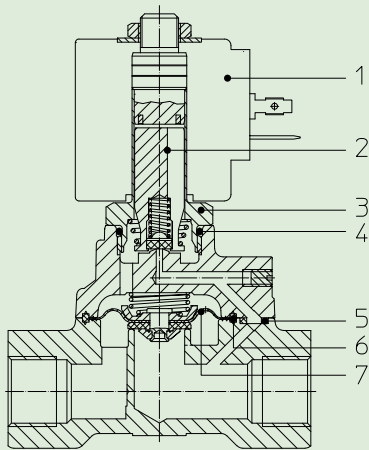
Gaskets	Temperature		Medium
T=PTFE (polytetrafluorethylen)	*	+ 180°C	Steam, hot water, chemical products compatible with stainless steel

* **WARNING:** For a correct functioning of the solenoid valve the minimum temperature should not be less than + 60°C; in order to ensure a long diaphragm life, the steam filtration is recommended.



Pipe ISO 228/1	Code	Max viscosity		Ø mm	Kv l/mn	Power watt	Pressure		
		cSt	°E				min bar	M.O.P.D. AC bar DC bar	
G 1/2	21X2KT120	-	-	12	35	8	0,5	10	10
G 3/4	21X3KT190			19	120				
G 1	21X4KT250			25	130				

The "ODE" reserves the right to carry out technical and aesthetic modifications without prior notification.



MATERIALS:

- Body** Stainless steel AISI 316
- Armature tube** Stainless steel AISI series 300
- Fixed core** Stainless steel AISI series 400
- Plunger** Stainless steel AISI series 400
- Phase displacement ring** Gold plated copper
- Spring** Stainless steel AISI series 300
- Seal** T=PTFE
- Orifice** Stainless steel AISI 316

On request:

- Connector** Pg 9 or Pg 11
- Connector conformity** ISO 4400

FEATURES:

- Electrical conformity** IEC 335
- Protection degree** IP 65 EN 60529 (DIN 40050) with coil fitted by connector.

SPARE PARTS:

- 1. Coil:** G 3/4-G 1 Code R450895
See coils list
- 2. Complete plunger:** G 1/2 Code R450950
Code R450886/T
- 3. Complete armature tube without gasket:** G 3/4- G 1 Code R450954
Code R450811
- 4. Gasket O-Ring:** Code R990000/T
- 5. Gasket:** G 1/2 Code R450858
G 3/4-G 1 Code R450894
- 6. Sealing ring:** G 1/2 Code R450859
- 7. Complete diaphragm:** G 1/2 Code R450950
G 3/4- G 1 Code R450954

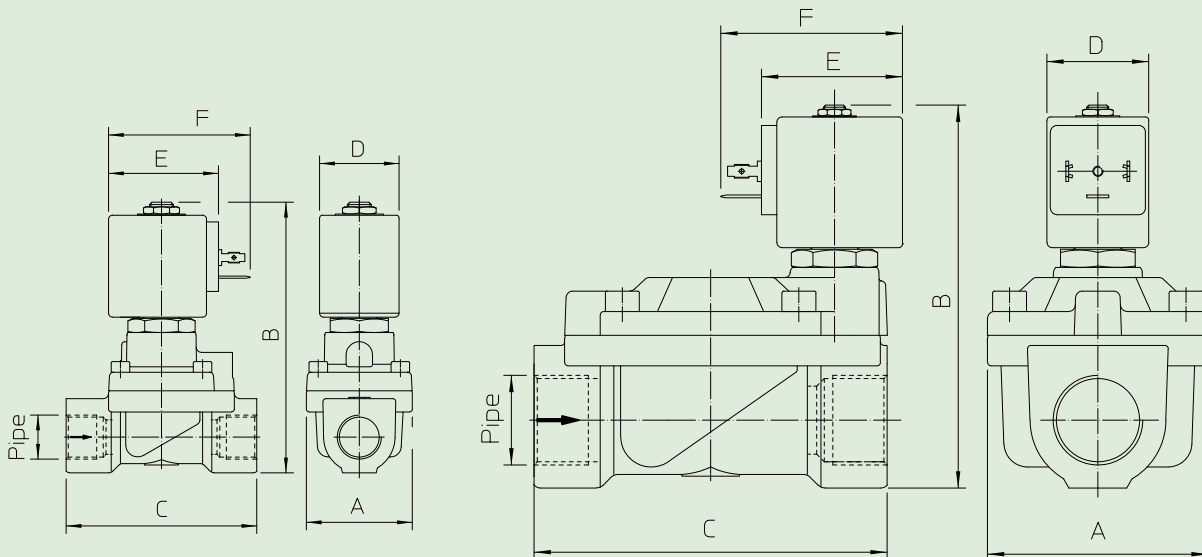
KIT:

KT130KT30-H=2+3+4

MAINTENANCE KIT:

G 1/2
KTG0X1KT12=2+5+6+7
G 3/4- G 1
KTG0X3KT19=2+5+6+7

DIMENSIONS:



Type	Pipe ISO 228/1	A mm	B mm	C mm
21X2KT120	G 1/2	40	103	73
21X3KT190	G 3/4	65	115	104
21X4KT250	G 1			

COIL TYPE	POWER ABSORPTION			DIMENSIONS		
	W	Hold VA ~	Inrush VA ~	D mm	E mm	F mm
B	8	14,5	25	30	42	54