



**Total separation solenoid valve  
2/2 way N.C. with flow regulation  
Direct acting - NSF Certified**

**21K72RRS90-000  
÷  
26K72RRS90-000**

**PRESENTATION:**

Bank S.V. for automatic drink dispensers.  
Minimum operational pressure is not required.  
The materials used and the tests carried out ensure maximum reliability and duration.

**USE:** Automatic drink dispensers

**PIPES** Please turn over (A-B-D-I-L-R)

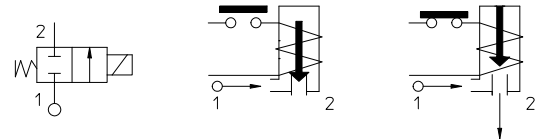
**COIL:** 12W ED 50% - Ø 10  
ICA 155°C (class F)

**COIL HOUSING AND COIL FORMER MATERIAL ARE  
MADE BY 100% VIRGIN MATERIAL.**

Ambient temperature:  
See coils catalogue page for its compatibility.



Gaskets	Temperature		Medium
S=VMQ (silicone)	+ 2°C	+100°C	Water



Pipe	Code	Max viscosity		Ø mm	Kv l/mn	Power watt	Pressure		
		cSt	°E				min bar	M.O.P.D. AC bar DC bar	
See connection types overleaf (A-B-D-I-L-R)	21K72RRS90-000	-	-	9	*	12 ED 50%	0	0,3	0,3
	22K72RRS90-000								
	23K72RRS90-000								
	24K72RRS90-000								
	25K72RRS90-000								
26K72RRS90-000									

\* FLOW RATE WITH HEAD OF 80 mm = 2,5 l/min.



**Note**

Available on request and with minimum quantities.

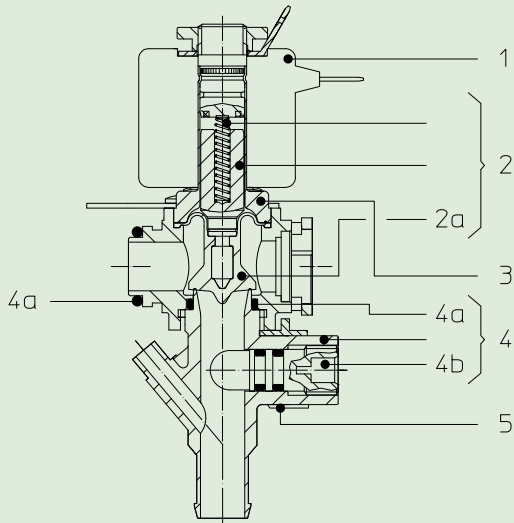
The "ODE" reserves the right to carry out technical and aesthetic modifications without prior notification

### MATERIALS:

<b>Body</b>	PSU (Polysulphone)
<b>Lower body</b>	PSU (Polysulphone)
<b>Lower body clamping device</b>	PA (Polyamide)
<b>Armature tube</b>	Brass - UNI EN 12164 CW614N
<b>Fixed core</b>	Stainless steel AISI series 400
<b>Plunger</b>	Stainless steel AISI series 400
<b>Phase displacement ring</b>	Copper - Cu 99,9%
<b>Spring</b>	Stainless steel AISI series 300
<b>Bellow membrane</b>	Standard: S = VMQ On request W = MFQ

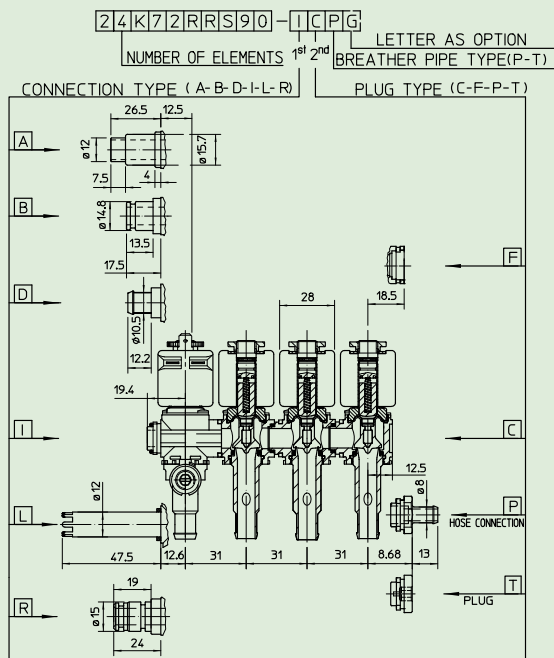
### SPARE PARTS:

- |   |  |
|---|--|
| <b>1. Coil:</b><br>See coils list                 | <b>4b.Flow setting screw with O-Rings:</b><br>Code R452226 |
| <b>2. Complete plunger:</b><br>Cod. R452236/S     | <b>4c.Lower body clamping device:</b><br>Code R452259      |
| <b>2a.Bellow membrane:</b><br>Code R452224/S      | <b>KIT:</b><br>KR100RRS90-L2=2+3                           |
| <b>3. Complete armature tube:</b><br>Code R452241 |  |
| <b>4. Lower body assembly:</b><br>Code R452294    |  |
| <b>4a. Gasket O-Ring:</b><br>Code R990052/S       |  |

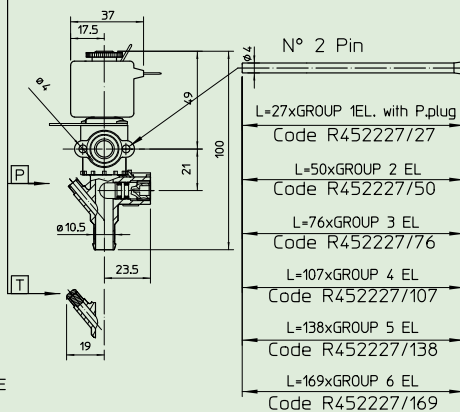


### DIMENSIONS:

### SOLENOID VALVE CODING WITH ACCESSORIES



- KEY :
- A = Connection  $\varnothing 15.7 \times 22.5$
  - B = Connection  $\varnothing 15 \times 13.5$  with OR
  - C = S.V. body-closed
  - D = Hose connection  $\varnothing 10.5 \times 12.2$
  - F = S.V. body-open-female bayonet joint
  - G = Selflocking gasket (R451856) for connection type \*A\* only
  - I = Male bayonet joint
  - L = Connection  $\varnothing 12 \times 47.5$
  - P = Hose connection
  - R = Quick coupling joint  $\varnothing 15 \times 19$
  - T = Polysulphone plug for F joint
  - T = Silicone plug for breather pipe



- FOR LEFT INLET INDICATE THE LETTER CORRESPONDING TO CONNECTION TYPE IN THE FIRST BOX, AND TO PLUG TYPE IN THE SECOND BOX.
- FOR RIGHT INLET INDICATE THE LETTER CORRESPONDING TO CONNECTION TYPE IN THE SECOND BOX, AND TO PLUG TYPE IN THE FIRST BOX.

COIL TYPE	POWER ABSORPTION		
	W ==	Hold VA ~	Inrush VA ~
I	12	22	30