



ELECTROMAGNET 22 mm x Ø 10 mm FOR POTENTIALLY EXPLOSIVE CONSTRUCTION Ex nA

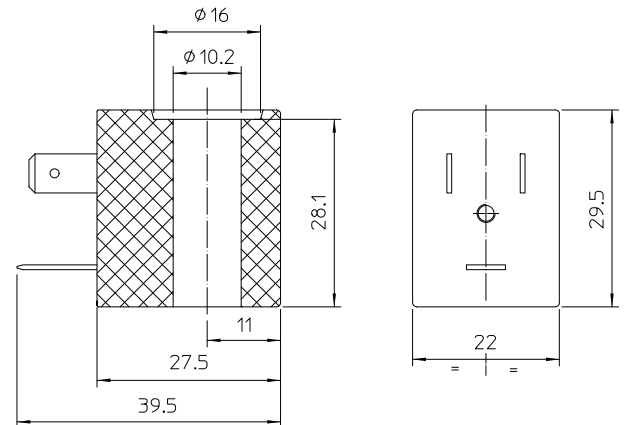
LBV05024A3
÷
LBV05230A3

COIL **LBV**

Coil housing material: PET - Black polyethylene - class H (180°C)

Winding: In class H

Electrical connections: With connector EN 175301-803 whellbase 11
Protection degree IP65 EN 60529 (DIN 40050)



MATERIAL ON STOCK:

Code	Power	VoltagesFrequency	ED	Ambient temperature
LBV05024A3	10 VA	24 ~ 50	100%	- 20°C + 80°C
LBV05024B3	10 VA	24 ~ 60	100%	- 20°C + 80°C
LBV05024C3	5 W	24 ===	100%	- 20°C + 80°C
LBV05110A3	10 VA	110 ~ 50 120 ~ 60	100%	- 20°C + 80°C
LBV05230A3	10 VA	230 ~ 50 240 ~ 60	100%	- 20°C + 80°C



(According to Directive 94/9/CE ATEX)
II 3G Ex nA IIC T3 Gc
II 3D Ex tc IIIC T200°C Dc IP 65

NOMINAL VOLTAGES DC + 10% -5%
TOLERANCES: AC + 10% -15%

Note

The coil to comply Atex protection of category mentioned above will be supplied only with connector ATEX type Ex II 3GD IP65.
ODE code has to be ordered separately: 992257
Available on request and with minimum quantities.

The "ODE" reserves the right to carry out technical and aesthetic modifications without prior notification.