



Solenoid valve 3/2 way N.C. Direct acting - NSF Certified

31AP2A1R15-13T0

÷

31AP2A1R30-13T0

PRESENTATION:

Direct acting S.V. for interception of fluids compatible with the construction materials.

Minimum operational pressure is not required.

The materials used and the tests carried out ensure maximum reliability and duration.

USE: Vending

PIPES: G 1/4

COIL: 8W - Ø 13
BDA - BSA 155°C (class F)
BDV 180°C (class H)

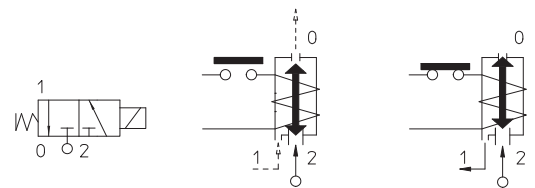
COIL HOUSING AND COIL FORMER MATERIAL ARE MADE BY 100% VIRGIN MATERIAL.

Ambient temperature:

See coils catalogue page for its compatibility.



Gaskets	Temperature		Medium
R=RUBY	- 40°C	+ 180°C	Water, air, steam



Max allowable pressure (PS) 16 bar - According to EN 60730-2-8 - Factor of safety for domestic applications equal to 5 times PS

Pipe ISO 228/1	Code	Max viscosity		Ø mm	Kv l/mn	Power watt	Pressure		
		cSt	°E				min bar	M.O.P.D	
								AC bar	DC bar
G 1/4	31AP2A1R15-13T0	12	~ 2	1,5*	1,1	8	0	15	15
	31AP2A1R20-13T0	37	~ 5	2*	1,8			10	10
	31AP2A1R25-13T0	53	~ 7	2,5*	2,5			6	6
	31AP2A1R30-13T0			3*	3,4			5	5

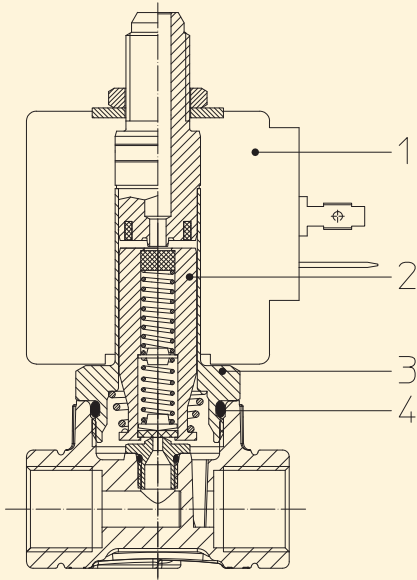
Max allowable pressure (PS) 25 bar - Safety factor for industrial application equal to 3 times PS

Pipe ISO 228/1	Code	Max viscosity		Ø mm	Kv l/mn	Power watt	Pressure		
		cSt	°E				min bar	M.O.P.D	
								AC bar	DC bar
G 1/4	31AP2A1R15-13T0	12	~ 2	1,5*	1,1	8	0	15	15
	31AP2A1R20-13T0	37	~ 5	2*	1,8			10	10
	31AP2A1R25-13T0	53	~ 7	2,5*	2,5			6	6
	31AP2A1R30-13T0			3*	3,4			5	5

Note

* 3rd way exhaust= Ø 2,5 mm | Max torque for fittings 1,5 Nm, coil nut assembly 2 Nm, armature tube 3 Nm | Evaluate tightening torque for tapered fittings | Use the seal fittings compatible with the material of the body | Available with coil Ex nA | The use of rigid sealings usually implies a slight leakage, limited within 2 cc/min at the pressure of 1 bar | For application with steam, please consult our Technical Service | Available on request and with minimum quantities.

The "ODE" reserves the right to carry out technical and aesthetic modifications without prior notification.



MATERIALS:

Body PPS
Armature tube Stainless steel AISI series 300
Fixed core Stainless steel AISI series 400
Plunger Stainless steel AISI series 400
Phase displacement ring Gold plated copper
Spring Stainless steel AISI series 300
Seal Standard: V=FKM
 On request: B=NBR E=EPDM PPS

Orifice: Insert slot

On request:
Connector Pg 9 or Pg 11
Connector conformity ISO 4400

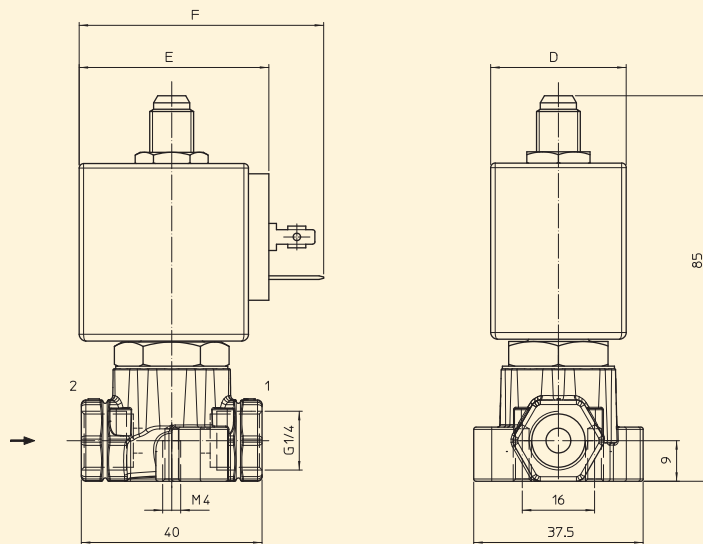
FEATURES:

Electrical conformity IEC 335
Protection degree IP 65 EN 60529 (DIN 40050)
 with coil fitted by connector.

SPARE PARTS:

1. **Coil:**
See coils list
2. **Complete plunger:**
Code R453258/RVX
3. **Complete armature tube:**
Code R451830/D
4. **Gasket O-Ring:**
Code R990000/VX

DIMENSIONS:



COIL TYPE	POWER ABSORPTION			DIMENSIONS		
	W ---	Hold VA ~	Inrush VA ~	D mm	E mm	F mm
B	8	14,5	25	30	42	54