



# Solenoid valve 3/2 way N.C. Direct acting

31JN1W0V12

÷

31JN1W0V23

## PRESENTATION:

Direct acting S.V. for interception of fluids compatible with the construction materials.

Minimum operational pressure is not required.

The materials used and the tests carried out ensure maximum reliability and duration.

**USE:** Automation  
Heating

**PIPES:** G 1/8

**COILS:** 5W - Ø 10  
LBA 155°C (class F)  
LBF - LBV 180°C (class H)

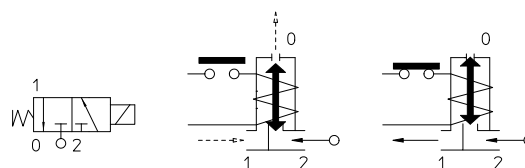
**MOULDING AND BOBBIN ARE MADE BY 100% VIRGIN MATERIAL.**

Max. allowable pressure (PS) 40 bar  
Ambient temperature:  
with coil class F - 10°C + 60°C  
with coil class H - 10°C + 80°C



Gaskets	Temperature		Medium
V=FKM (fluoroelastomer)	- 10°C	+140°C	Mineral oils (2°E), gasoline gas oil, fuel oils (5°E)
B=NBR (nitrile rubber)	- 10°C	+ 90°C	Air, inert gas, water

For seals other than FKM replace the letter "V" with the ones corresponding to the other seals. E.I. 31JN1W0**B**12.



Pipe ISO 228/1	Code	Max viscosity		Ø mm	Kv l/mn	Power (watt)	Pressure		
		cSt	°E				min bar	M.O.P.D. AC bar DC bar	
G 1/8	31JN1W0V12	12	~ 2	1,2*	1	5	0	15	15
	31JN1W0V23	37	~ 5	2,3*	2,3			5	5

## Note

\* 3rd way exhaust= Ø 1,5 mm

Also available with brass body without lead.

The "ODE" reserves the right to carry out technical and aesthetic modifications without prior notification.

### MATERIALS:

<b>Body</b>	Brass
<b>Armature tube</b>	Stainless steel AISI series 300
<b>Fixed core</b>	Stainless steel AISI series 400
<b>Plunger</b>	Stainless steel AISI series 400
<b>Phase displacement ring</b>	Copper - Cu 99,9%
<b>Spring</b>	Stainless steel AISI series 300
<b>Seal</b>	Standard: V=FKM On request: B=NBR
<b>Orifice</b>	Brass

<b>On request:</b>	Pg 9 or Pg 11
<b>Connector</b>	ISO 4400
<b>Connector conformity</b>	

### FEATURES:

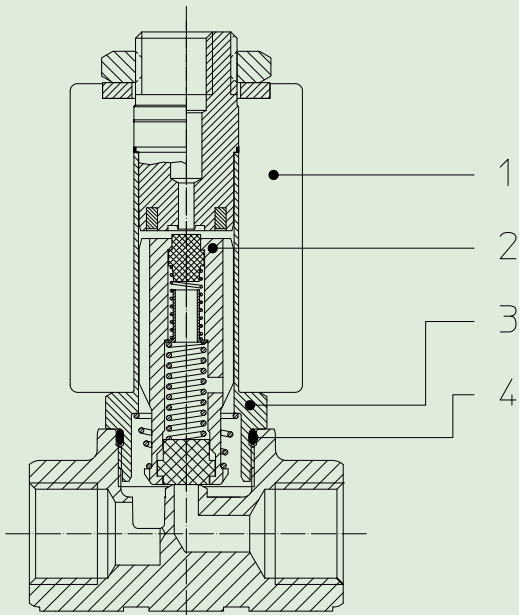
<b>Electrical conformity</b>	IEC 335
<b>Protection degree</b>	IP 65 EN 60529 (DIN 40050) with coil fitted by connector.

### SPARE PARTS:

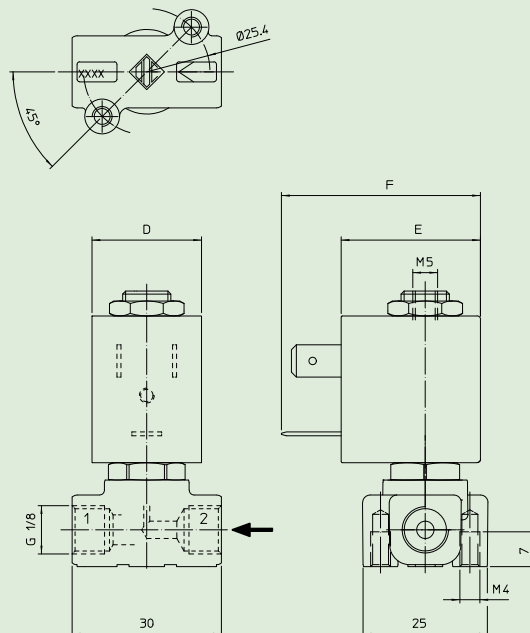
- Coil:**  
See coils list
- Complete plunger:**  
Code R452061/V
- Complete armature tube:**  
Code R452074
- Gasket O-Ring:**  
Code R990597/V

### KIT:

KT100W0V25-FJ=2+3+4



### DIMENSIONS:



COIL TYPE	POWER ABSORPTION			DIMENSIONS		
	W ---	Hold VA ~	Inrush VA ~	D mm	E mm	F mm
L	5	10	15	22	27,5	39,5