



**Solenoid valve 2/2 way N.C.
With pilot control
Explosion proof - Ex mb II T 4**

**21X2QDV120
÷
21X4QDV250**

PRESENTATION:

S.V. with pilot control for interception of fluids compatible with the construction materials.

A minimum operational pressure of 0,1 bar is required.

The materials used and the tests carried out ensure maximum reliability and duration.

USE: Potentially explosive atmospheres

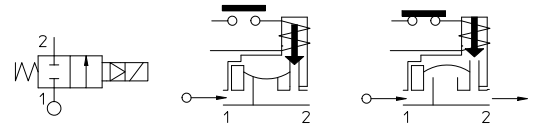
PIPE: G 1/2 - G 1

COILS: Series TNA - Ø 14,5
(For characteristic see catalogue page)

Max. allowable pressure (PS) 25 bar
Temperature max. medium + 80°C
See coils catalogue page for its compatibility.



Gaskets	Temperature		Medium
V=FKM (fluoroelastomer)	- 10°C	+ 80°C	Mineral oils (2°E), gasoline gas oil, fuel oils (7°E)

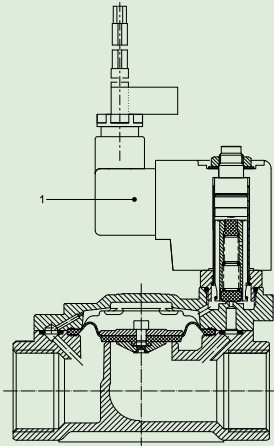
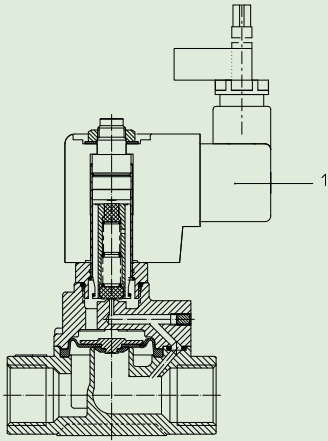


Pipe ISO 228/1	Code	Max viscosity		Ø mm	Kv l/mn	Power watt	Pressure		
		cSt	°E				min bar	M.O.P.D. AC bar DC bar	
G 1/2	21X2QDV120	12	~ 2	12	35	(See TNA coils catalogue page)	0,1	16	16
G 3/4	21X3QDV190			19	130				
G 1	21X4QDV250			25	160				



(ATEX/ITA/09/063
According to Directive 94/9/CE ATEX)

The "ODE" reserves the right to carry out technical and aesthetic modifications without prior notification.



MATERIALS:

Body	Stainless steel AISI 316
Armature tube	Stainless steel AISI series 300
Fixed core	Stainless steel AISI series 400
Plunger	Stainless steel AISI series 400
Phase displacement ring	Gold plated copper
Spring	Stainless steel AISI series 300
Seal	V=FKM
Orifice	Stainless steel AISI 316

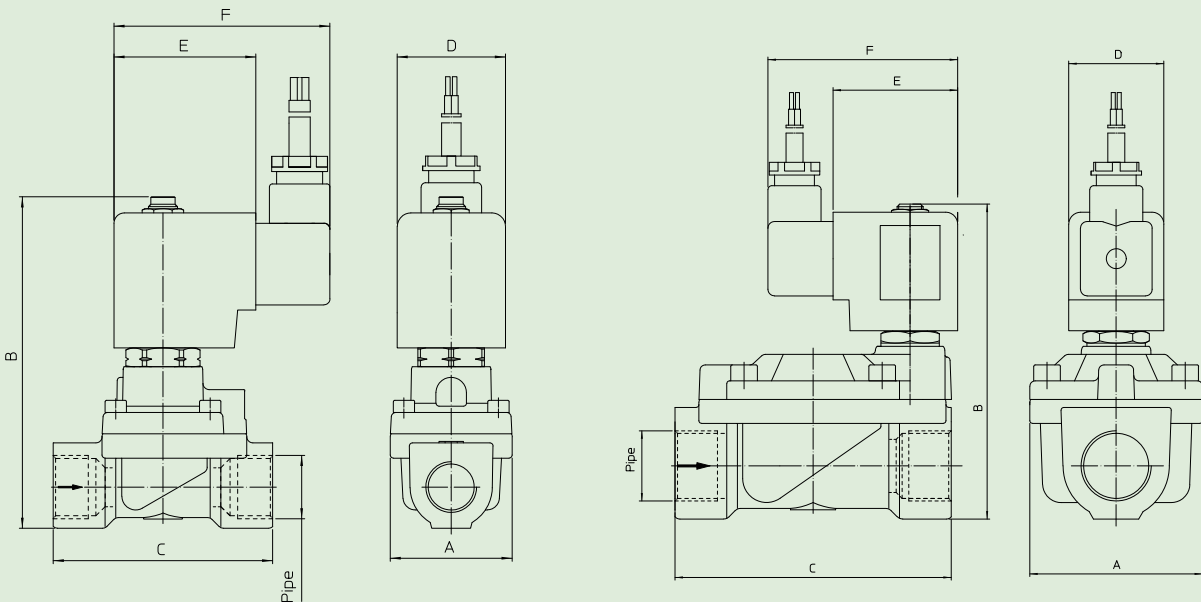
FEATURES:

Protection degree	IP 65 EN 60529 (DIN 40050)
--------------------------	----------------------------

SPARE PARTS:

- 1. **Coil:**
See TNA coils list

DIMENSIONS:



Type	Pipe ISO 228/1	A mm	B mm	C mm
21X2QDV120	G 1/2	40	110	73
21X3QDV190	G 3/4	65	120	104
21X4QDV250	G 1			

COIL TYPE	DIMENSIONS		
	D mm	E mm	F mm
T	36	47	71