



# Solenoid valve 2/2 way N.C. Direct acting

21A3KR15  
÷  
21A2KR30

## PRESENTATION:

Direct acting S.V. for interception of fluids compatible with the construction materials.

Minimum operational pressure is not required.

The materials used and the tests carried out ensure maximum reliability and duration.

**USE:** Hot water, Heating  
Steam (180°C)

**PIPES:** G 1/8 - G 1/4

**COILS:** 8W - Ø 13  
BDA - BSA 155°C (class F)  
BDV 180°C (class H)

**COIL HOUSING AND COIL FORMER MATERIAL ARE  
MADE BY 100% VIRGIN MATERIAL.**

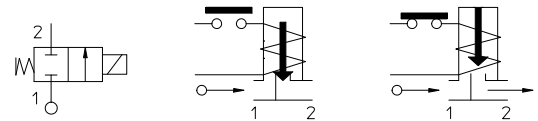
Max. allowable pressure (PS) 40 bar

Ambient temperature:

See coils catalogue page for its compatibility.



Gaskets	Temperature		Medium
R=RUBY	- 40°C	+180°C	Steam, water, mineral oils (2°E), gas oil, fuel oils (7°E)
T=PTFE (polytetrafluorethylen)	- 40°C	+180°C	Steam, water



For seals other than RUBY replace the letter "R" with the ones corresponding to the other seals. E.I. 21A3KT15.

Pipe ISO 228/1	Code	Max viscosity		Ø mm	Kv l/mn	Power watt	Pressure				
		cSt	°E				min bar	M.O.P.D. AC bar DC bar			
G 1/8	21A3KR15	12	~ 2	1,5	1,4	8	0	35	15		
	21A3KR20	37	~ 5	2	2			25	9		
	21A3KR25	53	~ 7	2,5	3,2			14	5		
	21A3KR30			3	4			10	4		
G 1/4	21A2KR15	12	~ 2	1,5	1,4			8	0	35	15
	21A2KR20	37	~ 5	2	2					25	9
	21A2KR25	53	~ 7	2,5	3,2					14	5
	21A2KR30			3	4					10	4

## Note

Also available with brass body without lead.

The use of rigid sealings usually implies a slight leakage, limited within 2scc/min at the pressure of 1 bar.

The "ODE" reserves the right to carry out technical and aesthetic modifications without prior notification.

### MATERIALS:

<b>Body</b>	Brass - UNI EN 12165 CW617N
<b>Armature tube</b>	Stainless steel AISI series 300
<b>Fixed core</b>	Stainless steel AISI series 400
<b>Plunger</b>	Stainless steel AISI series 400
<b>Phase displacement ring</b>	Copper - Cu 99,9%
<b>Spring</b>	Stainless steel AISI series 300
<b>Seal</b>	Standard: R=RUBY On request: T=PTFE
<b>Orifice: Insert slot</b>	Stainless steel AISI series 300

<b>On request:</b>	
<b>Connector</b>	Pg 9 or Pg 11
<b>Connector conformity</b>	ISO 4400

### FEATURES:

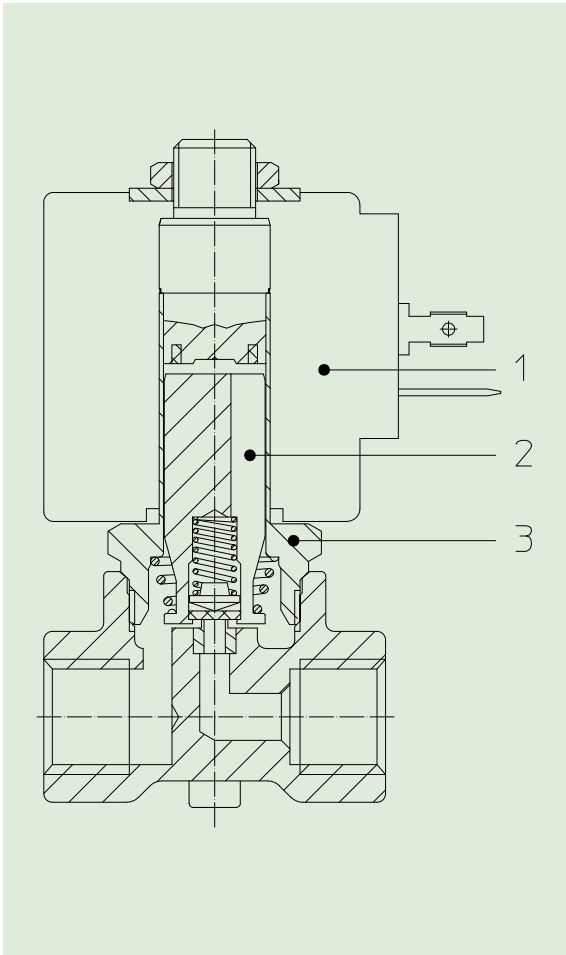
<b>Electrical conformity</b>	IEC 335
<b>Protection degree</b>	IP 65 EN 60529 (DIN 40050) with coil fitted by connector.

### SPARE PARTS:

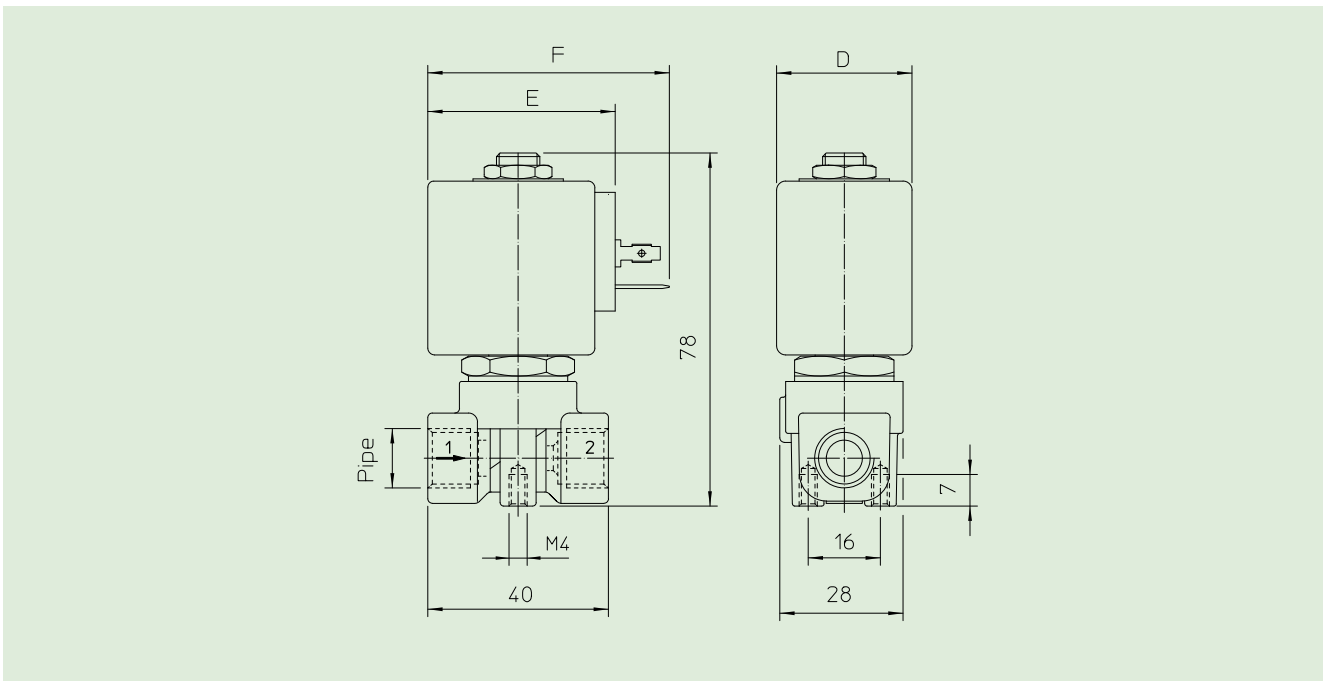
- Coil:**  
See coils list
- Complete plunger:**  
Code R450820/R
- Complete armature tube:**  
Code R450606

### KIT:

KT130KR30-A=2+3



### DIMENSIONS:



Type	Pipe ISO 228/1
21A3KR	G 1/8
21A2KR	G 1/4

COIL TYPE	POWER ABSORPTION			DIMENSIONS		
	W ---	Hold VA ~	Inrush VA ~	D mm	E mm	F mm
B	8	14,5	25	30	42	54