



# Solenoid valve 2/2 way N.C. Direct acting

21ALBK1F15-LT  
÷  
21ALBK1F30-LT

## PRESENTATION:

Direct acting S.V. for interception of fluids compatible with the construction materials.

Minimum operational pressure is not required.

The materials used and the tests carried out ensure maximum reliability and duration.

Solenoid valve designed and manufactured specifically to be used in low ambient temperature and fluid conditions.

**USE:** Automation, Heating,  
Chemistry

**PIPES:** subplate mounting

**COIL:** 8W - Ø 13  
BDV 180°C (class H)

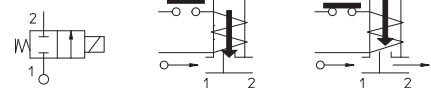
**COIL HOUSING AND COIL FORMER MATERIAL ARE  
MADE BY 100% VIRGIN MATERIAL.**

Max. allowable pressure (PS) 40 bar

Ambient temperature:

lower range: - 40°C

higher range: See coils catalogue page for its compatibility.



Gaskets	Temperature		Medium
FLT=H-NBR for low temperatures (hydrogenated nitrile)	- 40°C	+ 130°C	Air, inert gases, glycol

Pipe	Code	Max viscosity		Ø mm	Kv l/mn	Power watt	Pressure		
		cSt	°E				min bar	M.O.P.D.	
								AC bar	DC bar
SUBPLATE MOUNTING	21ALBK1F15-LT	12	~ 2	1,5	1,4	8	0	30	18
	21ALBK1F20-LT	37	~ 5	2	2			22	16
	21ALBK1F25-LT	53	~ 7	2,5	3,2			14	9
	21ALBK1F30-LT			3	4			10	6

## Note

Available on request and with minimum quantities.

The "ODE" reserves the right to carry out technical and aesthetic modifications without prior notice.

### MATERIALS:

<b>Body</b>	Stainless steel AISI 316
<b>Armature tube</b>	Stainless steel AISI series 300
<b>Fixed core</b>	Stainless steel AISI series 400
<b>Plunger</b>	Stainless steel AISI series 400
<b>Phase displacement ring</b>	Copper - Cu 99,9%
<b>Spring</b>	Stainless steel AISI series 300
<b>Seal</b>	FLT=H-NBR
<b>Orifice</b>	Stainless steel AISI 316

### On request:

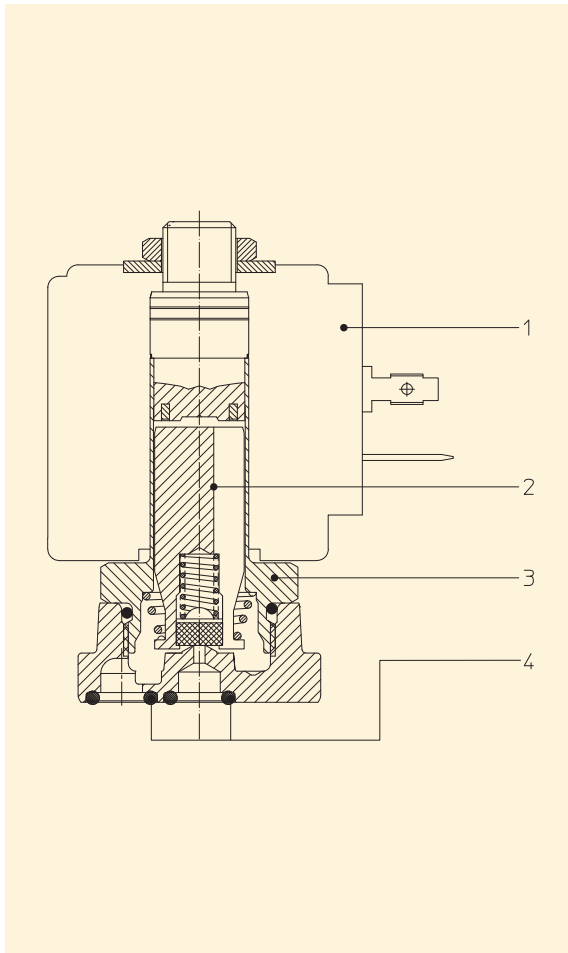
<b>Connector</b>	Pg 9 or Pg 11
<b>Connector conformity</b>	ISO 4400

### FEATURES:

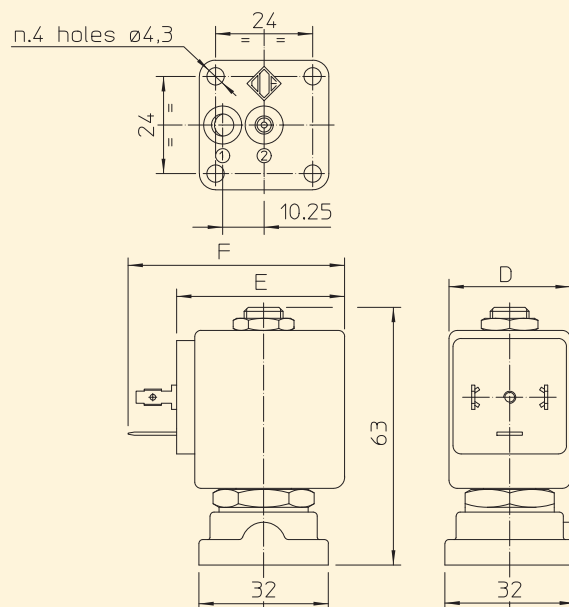
<b>Electrical conformity</b>	IEC 335
<b>Protection degree</b>	IP 65 EN 60529 (DIN 40050) with coil fitted by connector.

### SPARE PARTS:

- Coil:**  
See coils list
- Complete plunger:**  
Code R450886/*FLT*
- Complete armature tube:**  
Code R450811
- Gasket O-Ring:**  
Code R990002/*FLT*



### DIMENSIONS:



COIL TYPE	POWER ABSORPTION			DIMENSIONS		
	W =	Hold VA ~	Inrush VA ~	D mm	E mm	F mm
B	8	14,5	25	30	42	54