



Proportional solenoid valve 2/2 way N.C. - Direct acting NSF Certified

21AP1KC4V30-1BT0

PRESENTATION:

Solenoid valve designed for a fluid output proportional to voltage change compatible with the construction materials. Minimum operational pressure is not required. Mounting in any position. Material used and tests carried out ensure reliability and long life time.

TECHNICAL FEATURES:

Max. allowable pressure (PS) 16 bar

Ambient temperature:

See coils catalogue page for its compatibility.

Proportional response features:

Hysteresis < 5%
Repeatability < 3%
Sensitivity < 2%

Tensions range:

0-24 VDC

24 VDC impulse range modulation (600 ÷ 800 Hz),

(see general information:proportional S.V. operation).

These solenoid valves are not suitable for stagnating fluids, or for fluids that being subject to evaporation may deposit solid, calcareous or similar residues.

PIPES: G 1/8

COIL:

8W - Ø 13

BDA - BSA

155°C (class F)

BDV

180°C (class H)

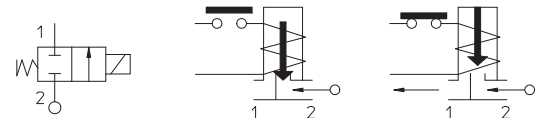
12W - Ø 13

UDA

155°C (class F)

UDV

180°C (class H)

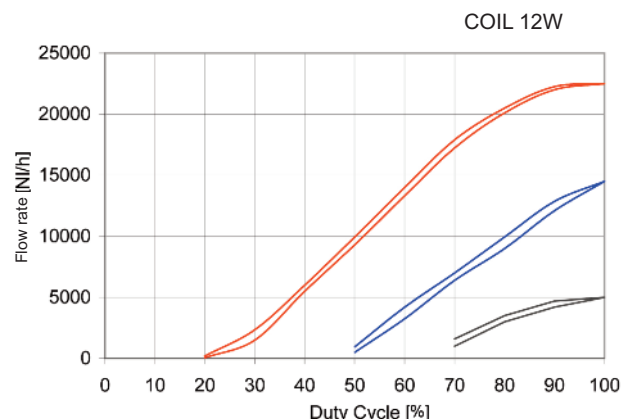
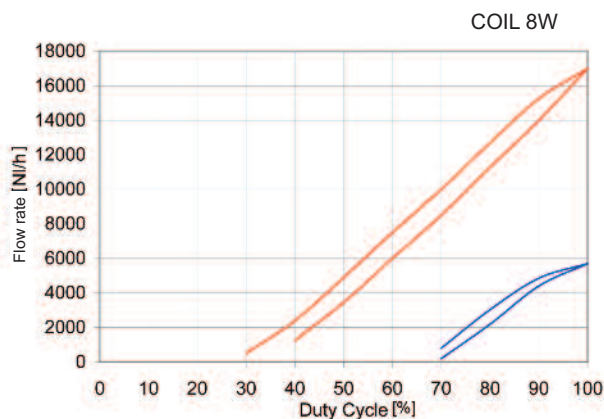


COIL HOUSING AND COIL FORMER MATERIAL ARE MADE BY 100% VIRGIN MATERIAL.

| Gaskets | Temperature | | Medium |
|-------------------------|-------------|--------|-------------------|
| V=FKM (fluoroelastomer) | - 10°C | +140°C | Air, Water, Steam |

| Pipe ISO 228/1 | Code | Max viscosity | | Ø mm | Kv l/mn | Power watt | Pressure | | |
|-------------------|------------------|---------------|-----|---------|------------|---------------|------------|----------|--------|
| | | cSt | °E | | | | min bar | M.O.P.D. | |
| | | | | | | | | AC bar | DC bar |
| G 1/8 | 21AP1KC4V30-1BT0 | 21 | ~ 3 | 3 | 3,4 | 8 12 | 0 | - | 5 |

SOLENOID VALVE CALIBRATED AT 5 bar - Flow rate in air

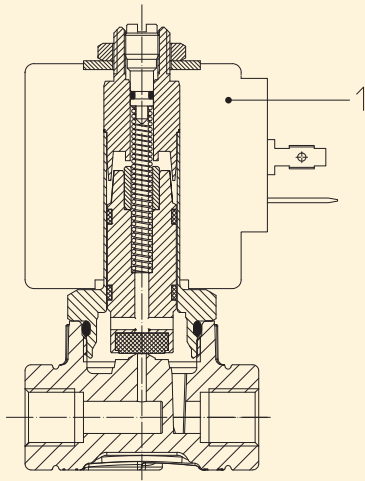


— P= 5 bar — P= 2,5 bar — P= 1 bar

Note

Max torque for fittings 1,5 Nm, coil nut assembly 2 Nm, armature tube 3 Nm | Evaluate tightening torque for tapered fittings | Use the seal fittings compatible with the material of the body | For application with steam, please consult our Technical Service | Available on request and with minimum quantities.

The "ODE" reserves the right to carry out technical and aesthetic modifications without prior notice..



MATERIALS:

| | |
|----------------------|---------------------------------|
| Body | PPS |
| Armature tube | Stainless steel AISI series 300 |
| Fixed core | Stainless steel AISI series 400 |
| Plunger | Stainless steel AISI series 400 |
| Spring | Stainless steel AISI series 300 |
| Ring guide | PTFE |
| Orifice | PPS |
| Seal | V=FKM |
| Gasket | V=FKM |

On request:

| | |
|-----------------------------|---------------|
| Connector | Pg 9 or Pg 11 |
| Connector conformity | ISO 4400 |

FEATURES:

| | |
|------------------------------|--|
| Electrical conformity | IEC 335 |
| Protection degree | IP 65 EN 60529 (DIN 40050) with coil fitted by connector. |

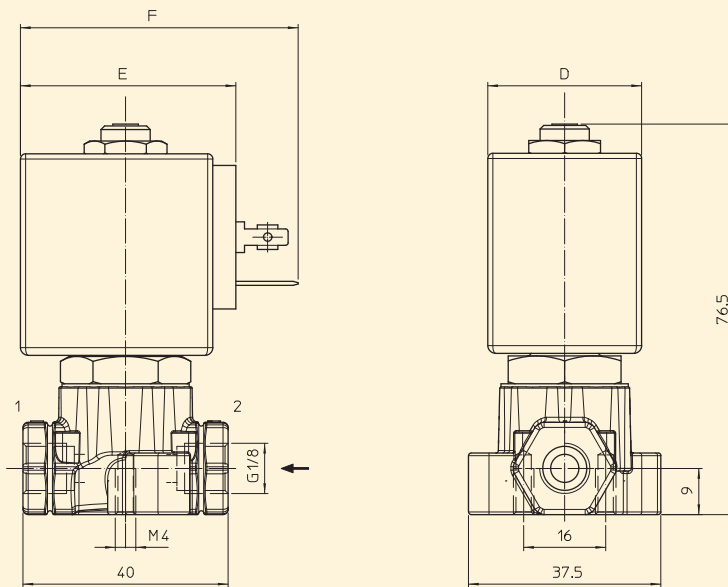
SPARE PARTS:

- 1. Coil:
See coils list

KIT:

KT130KCV55-I

DIMENSIONS:



| COIL TYPE | POWER ABSORPTION | DIMENSIONS | | |
|-----------|------------------|------------|---------|---------|
| | W --- | D mm | E mm | F mm |
| B | 8 | 30 | 42 | 54 |
| U | 12 | 36 | 48 | 60 |